

SINGER®

1408 / 1409 Instruction Manual

IMPORTANT SAFETY INSTRUCTIONS

When using an electrical appliance, basic safety should always be followed, including the following:

Read all instructions before using this sewing machine.

DANGER - To reduce the risk of electric shock:

1. An appliance should never be left unattended when plugged in.
2. Always unplug this appliance from the electric outlet immediately after using and before cleaning.
3. Always unplug before re-lamping. Replace bulb with same type rated 10 watts (110-120V area) or 15 watts (220-240V area).

WARNING - To reduce the risk of burns, fire, electric shock, or injury to persons:

1. Do not allow to be used as a toy. Close attention is necessary when this appliance is used by or near children.
2. Use this appliance only for its intended use as described in this manual. Use only attachments recommended by the manufacturer as contained in this manual.
3. Never operate this appliance if it has a damaged cord or plug, if it is not working properly, if it has been dropped or damaged, or dropped into water. Return the appliance to the nearest authorized dealer or service center for examination, repair, electrical or mechanical adjustment.
4. Never operate the appliance with any air openings blocked. Keep ventilation openings of the sewing machine and foot controller free from accumulation of lint, dust, and loose cloth.
5. Keep fingers away from all moving parts. Special care is required around the sewing machine needle.
6. Always use the proper needle plate. The wrong plate can cause the needle to break.
7. Do not use bent needles.
8. Do not pull or push fabric while stitching. It may deflect the

needle causing it to break.

9. Switch the sewing machine off ("O") when making any adjustments in the needle area, such as threading needle, changing needle, threading bobbin, or changing presser foot, and the like.
10. Always unplug sewing machine from the electrical outlet when removing covers, lubricating, or when making any other user servicing adjustments mentioned in the instruction manual.
11. Never drop or insert any object into any opening.
12. Do not use outdoors.
13. Do not operate where aerosol spray products are being used or where oxygen is being administered.
14. To disconnect, turn all controls to the off ("O") position, then remove plug from outlet.
15. Do not unplug by pulling on cord. To unplug, grasp the plug, not the cord.
16. The sound pressure level under normal operating conditions is 75dB(A).
17. Please turn off the machine or unplug when the machine is not operating properly.
18. Never place anything on the foot controller.
19. If the supply cord that is fixed with foot controller is damaged, it must be replaced by the manufacturer or its service agent or a similar qualified person in order to avoid a hazard.
20. This appliance is not intended for use by persons (including children) with reduced physical, sensory or mental capabilities, or lack of experience and knowledge, unless they have been given supervision or instruction concerning use of the appliance by a person responsible for their safety.
21. Children should be supervised to ensure that they do not play with the appliance.

SAVE THESE INSTRUCTIONS

This sewing machine is intended for household use only.

Congratulations

As the owner of a new Singer sewing machine, you are about to begin an exciting adventure in creativity. From the moment you first use your machine, you will know you are sewing on one of the easiest to use sewing machines ever made.

May we recommend that, before you start to use your sewing machine, you discover the many features and the ease of operation by going through this instruction book, step by step, seated at your machine.

To ensure that you are always provided with the most modern sewing capabilities, the manufacturer reserves the right to change the appearance, design or accessories of this sewing machine when considered necessary.

SINGER is a registered trademark of The Singer Company Limited or its affiliates.

© 2013 The Singer Company Limited or its affiliates. All rights reserved.

List of Contents

Machine Basics

Principle Parts of the Machine.....	2/3
Connecting Machine to Power Source.....	4
Two Step Presser Foot Lifter.....	5
Accessories.....	6

Threading the Machine

Winding the Bobbin.....	7
Inserting the Bobbin.....	8
Threading the Upper Thread.....	9
Raising the Bobbin Thread.....	10
Thread Tension.....	11

Sewing

How to Choose Your Pattern.....	12
Stitch Length Dial (Model 1409 only).....	13
Sewing Straight Stitch.....	14
Reverse Sewing/ Removing the Work/ Cutting the Thread.....	15
Blind Hem.....	16
Sew 4-step Buttonholes.....	17
Sewing on Buttons (Model 1408 only).....	18
Sewing on Buttons (Model 1409 only).....	19
Free Motion Darning, Stippling.....	20

General Information

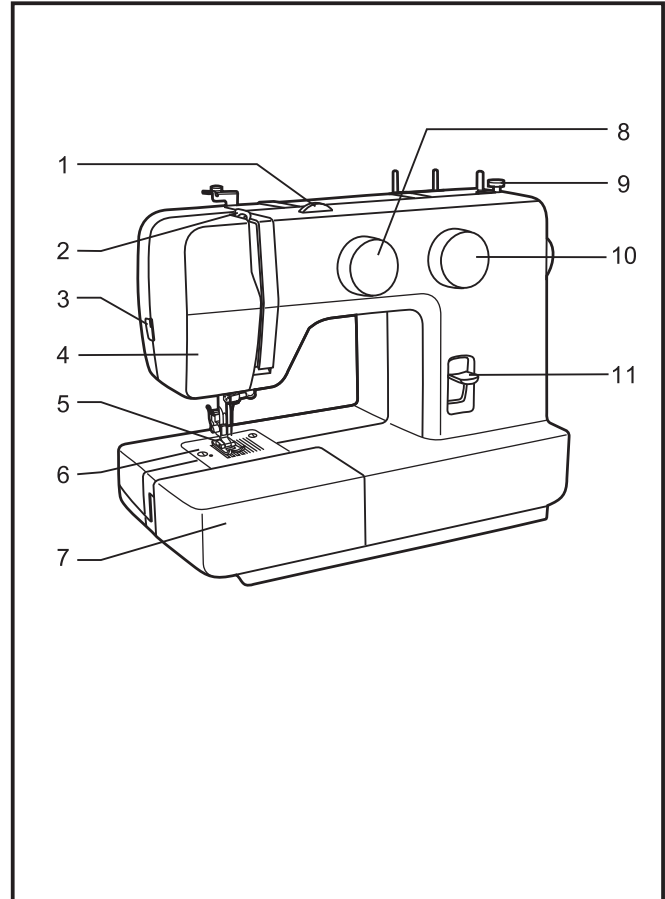
Installing the Removable Extension Table.....	21
Attaching the Presser Foot Shank.....	22
Needle/ Fabric/ Thread Chart.....	23
Darning Plate.....	24

Maintenance and Troubleshooting

Inserting & Changing Needle.....	25
Changing the Bulb.....	26
Troubleshooting Guide.....	27

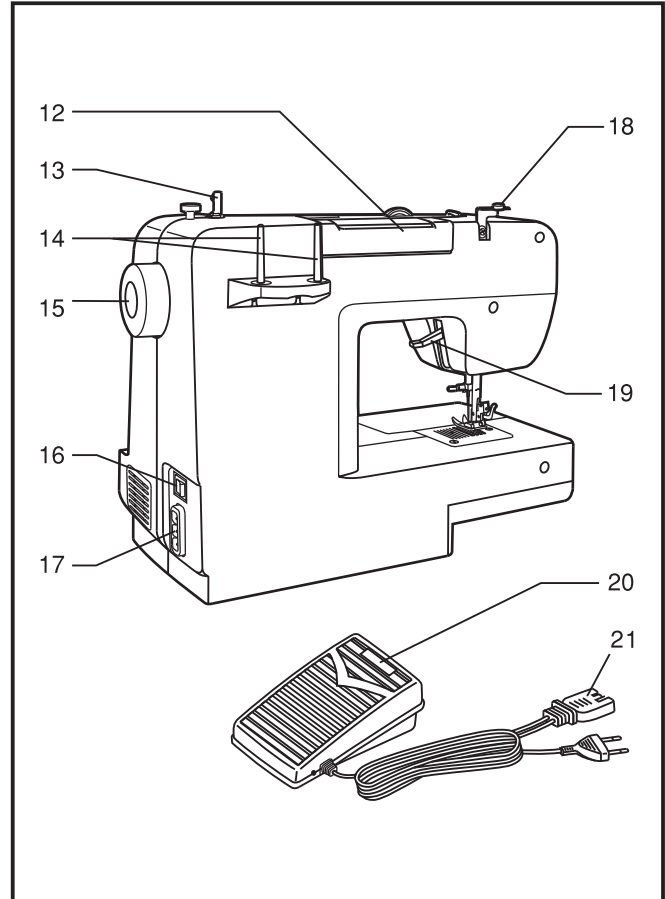
□ Principal Parts of the Machine

1. Thread tension dial
2. Thread take-up lever
3. Thread cutter
4. Face plate
5. Presser foot
6. Needle plate
7. Removable extension table/ accessory storage
8. Pattern selector dial
9. Bobbin stopper
10. Stitch length dial (Model 1409)
11. Reverse sewing lever



□ Principal Parts of the Machine

- 12. Handle
- 13. Bobbin winding spindle
- 14. Spool pins
- 15. Handwheel
- 16. Power and light switch
- 17. Main plug socket
- 18. Bobbin thread guide
- 19. Presser foot lifter
- 20. Foot speed control
- 21. Power cord



□ Connecting Machine to Power Source

Connect the machine to a power source as illustrated. (1)
This appliance is equipped with a polarized plug which must be used with the appropriate polarized outlet. (2)

Attention:

Unplug power cord when machine is not in use.

Foot control

The foot control pedal regulates the sewing speed. (3)

Attention:

Consult a qualified electrician if in doubt of how to connect machine to power source.

Unplug power cord when machine is not in use.

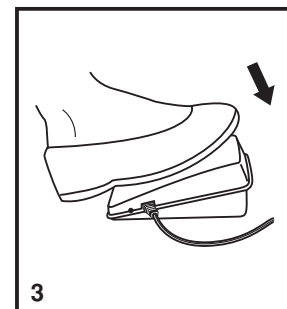
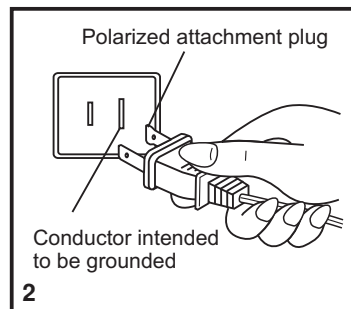
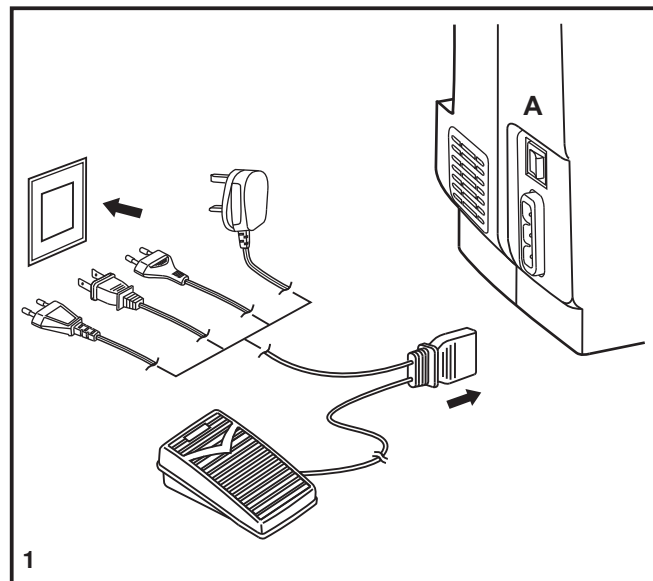
The foot control must be used with the appliance by FC-1902、KD-1902 (110-120V area)/ FC-2902A、KD-2902 (220-240V area) manufactured by ZHEJIANG FOUNDER MOTOR CORPORATION LTD. (China)
4C-316B (110-120V area)/ 4C-326G (230V area) manufactured by Wakaho Electric Ind. Co., Ltd. (Vietnam)

Sewing light

Press main switch (A) to "I" for power and light.

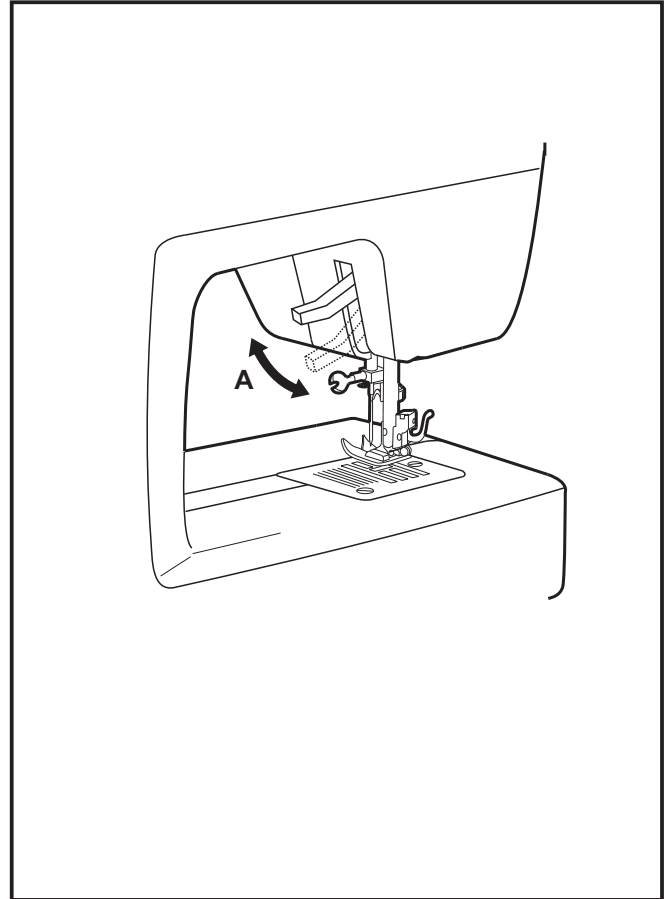
IMPORTANT NOTICE

For appliance with a polarized plug (one blade is wider than the other). To reduce the risk of electric shock, this plug is intended to fit in a polarized outlet only one way. If it does not fit fully in the outlet, reverse the plug. If it still does not fit, contact a qualified electrician to install the proper outlet. Do not modify the plug in any way.



Two Step Presser Foot Lifter

When sewing several layers or thick fabrics, the presser foot can be raised to a higher position for easy positioning of the work (A).



□ Accessories

Standard accessories (1)

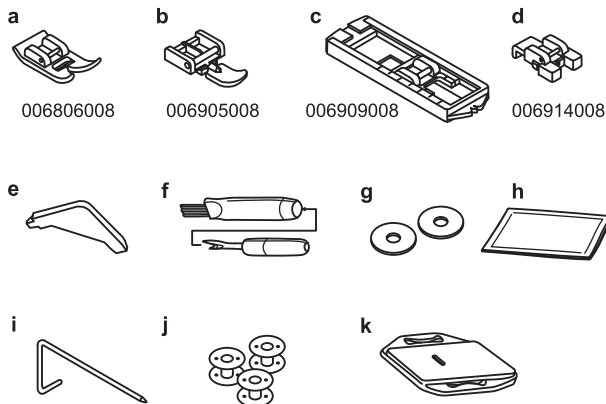
- a. All purpose foot
- b. Zipper foot
- c. Buttonhole foot
- d. Button sewing foot
- e. L-screwdriver
- f. Seam ripper/ brush
- g. Spool pin felt (2x)
- h. Pack of needles (3x)
- i. Edge/ quilting guide
- j. Bobbin (3x)
- k. Darning plate

Optional accessories (2)

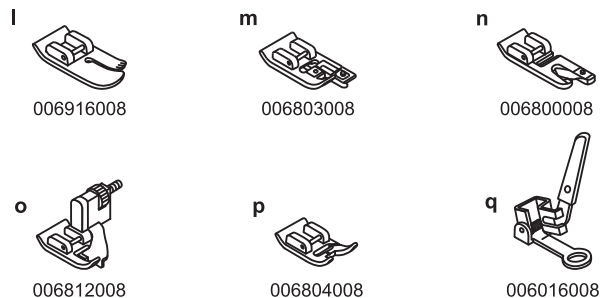
(These 6 accessories are not supplied with this machine; they are however available as special accessories from your local dealer.)

- l. Quilting foot
- m. Overcasting foot
- n. Hemmer foot
- o. Blind hem foot
- p. Satin stitch foot
- q. Darning/ Embroidery foot

1 Standard accessories



2 Optional accessories

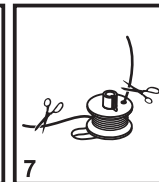
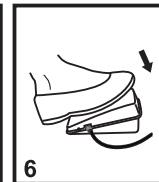
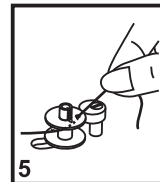
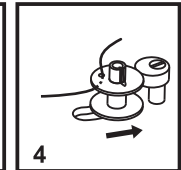
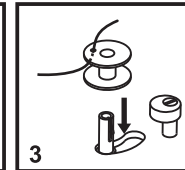
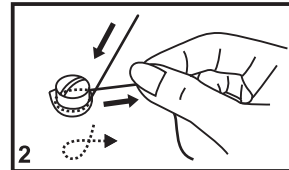
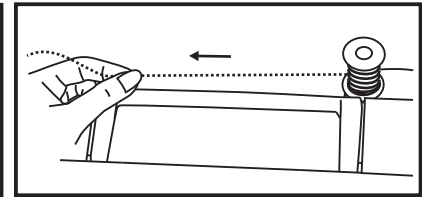
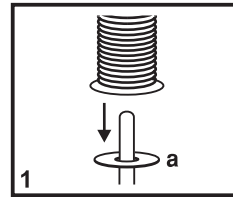
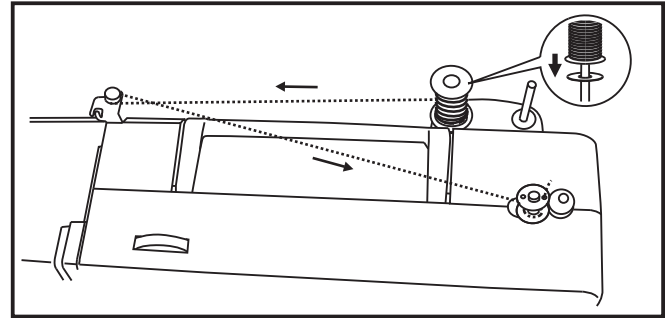


□ Winding the Bobbin

- Place the thread and Spool pin felt (a) onto the spool pin. (1)
- Wind thread clockwise around bobbin winder tension discs. (2)
- Thread bobbin as illustrated and place on spindle. (3)
- Push bobbin spindle to right. (4)
- Hold thread end. (5)
- Step on foot control pedal. (6)
- Cut thread. (7)
- Push bobbin spindle to left (8) and remove.

Please Note:

When the bobbin winder spindle is in "bobbin winding" position, the machine will not sew and the hand wheel will not turn. To start sewing, push the bobbin winder spindle to the left (sewing position).



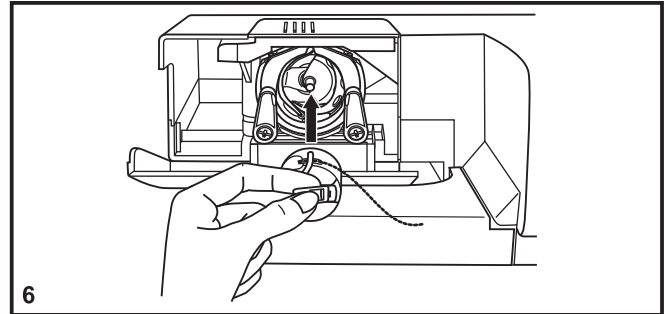
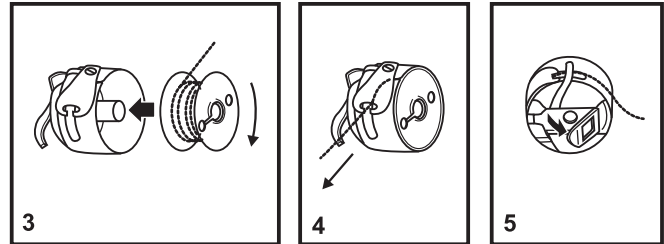
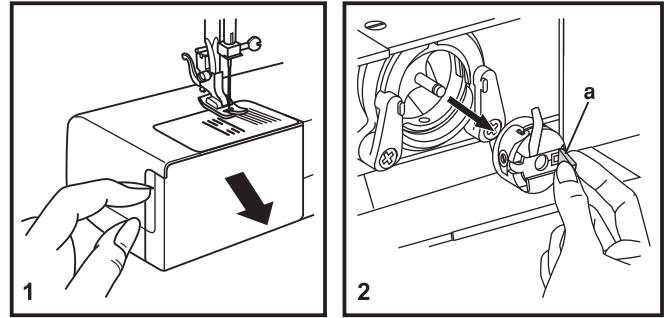
□ Inserting the Bobbin

When inserting or removing the bobbin, the needle must be fully raised.

1. Open the hinged cover.
2. Pull the bobbin case tab (a) and remove the bobbin case.
3. Hold the bobbin case with one hand. Insert the bobbin so that the thread runs in a clockwise direction (arrow).
4. Pull the thread through the slit and under the finger. Leave a 6 inch tail of thread.
5. Hold the bobbin case by the hinged latch.
6. Insert it into the shuttle.

Attention:

Turn power switch to off ("O") before inserting or removing the bobbin.



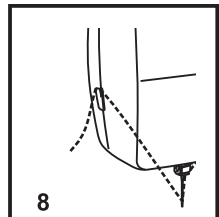
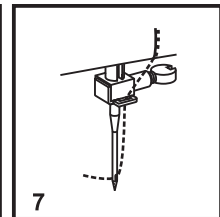
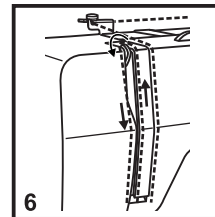
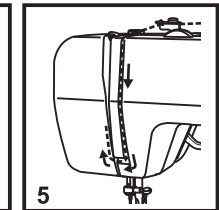
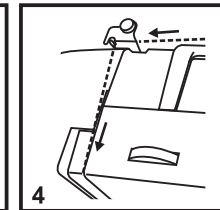
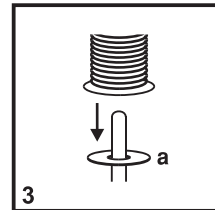
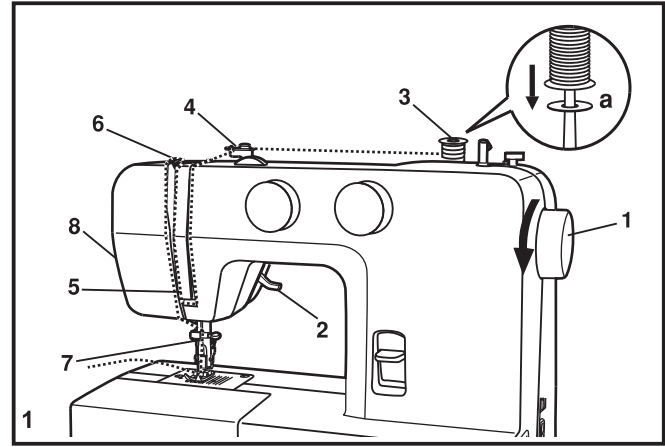
□ Threading the Upper Thread

This is a simple operation but it is important to carry out correctly as by not doing so several sewing problems could result.

- Start by raising the needle to its highest point (1), and continue turning the handwheel counterclockwise until the needle just slightly begins to descend. Raise the presser foot to release the tension discs. (2)

Note: For safety, it is strongly suggested you turn off the power before threading.

- Place the thread and Spool pin felt (a) onto the spool pin. (3)
- Draw thread from spool through the upper thread guide. (4)
- Thread tension module by leading thread down right channel and up left channel. (5) During this process it is helpful to hold the thread between the spool and thread guide.
- At the top of this movement pass thread from right to left through the slotted eye of the take-up lever and then downwards again. (6)
- Now pass thread behind the thin wire needle clamp guide (7) and then down to the needle which should be threaded from front to back. (8)
- Pull about 6-8 inches of thread to the rear beyond the needle eye. Trim thread to length with built in thread cutter. (8)

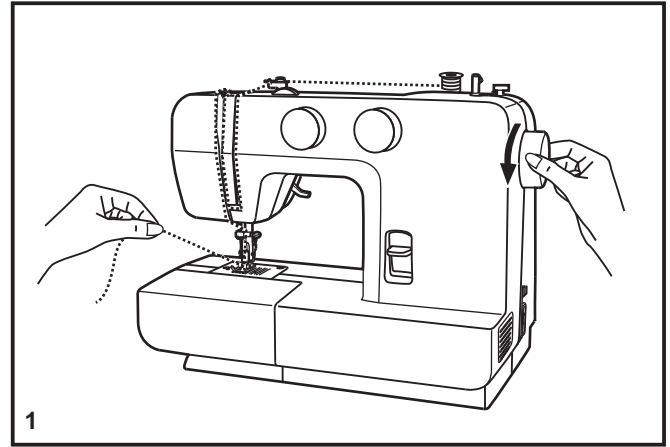


□ Raising the Bobbin Thread

Hold the upper thread with the left hand. Turn the handwheel (1) towards you (counterclockwise) lowering, then raising needle.

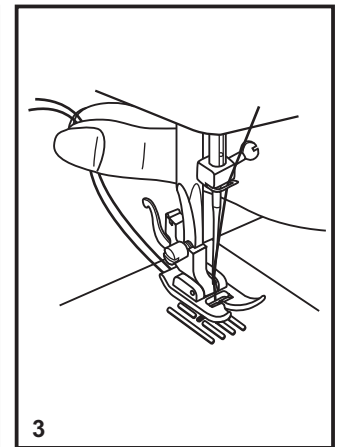
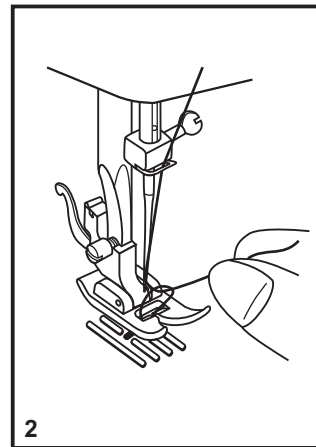
Note:

If it is difficult to raise the bobbin thread, check to make sure the thread is not trapped by the hinged cover or the Removable Extension Table.



Gently pull on the upper thread to bring the bobbin thread up through the needle plate hole. (2)

Lay both threads to the back under the presser foot. (3)



□ Thread Tension

Upper thread tension

Basic thread tension setting: "4". (1)

To increase the tension, turn the dial to the next number up.

To reduce the tension, turn the dial to the next number down.

A. Normal thread tension for straight stitch sewing.

B. Thread tension too loose for straight stitch sewing. Turn dial to higher number.

C. Thread tension too tight for straight stitch sewing. Turn dial to lower number.

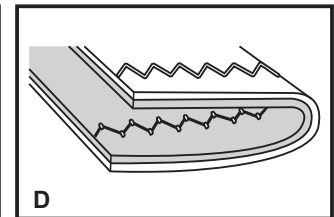
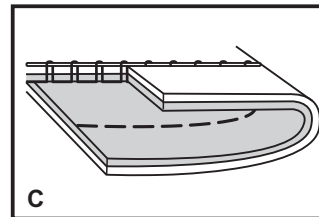
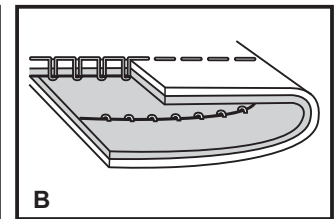
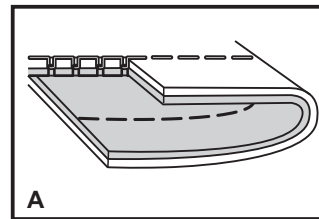
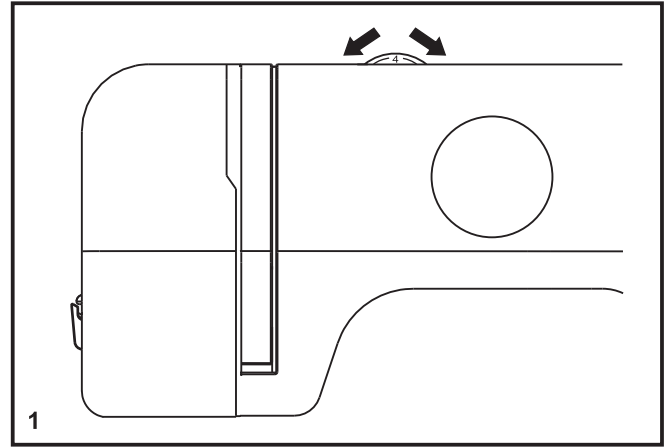
D. Normal thread tension for zig zag and decorative sewing.
Correct thread tension is when a small amount of the upper thread appears on the bottom side of fabric.

Lower thread tension

The bobbin tension has been set correctly at the factory, so you do not need to adjust it.

Please note:

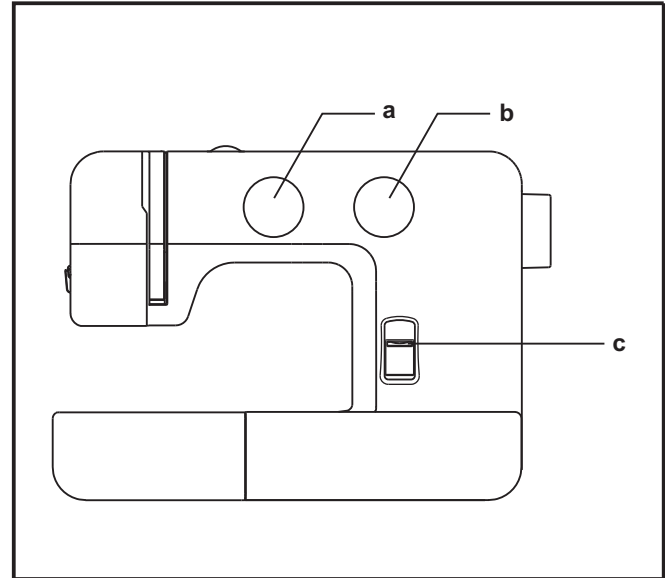
- Proper setting of tension is important to good sewing.
- There is no single tension setting appropriate for all stitch functions, thread or fabric.
- A balanced tension (identical stitches both top and bottom) is usually only desirable for straight stitch construction sewing.
- 90% of all sewing will be between "3" and "5".
- For zig zag and decorative sewing stitch functions, thread tension should generally be less than for straight stitch sewing.
- For all decorative sewing you will always obtain a nicer stitch and less fabric puckering when the upper thread appears on the bottom side of your fabric.



□ How to Choose Your Pattern

To select a stitch, simply turn the pattern selector dial (a). The pattern selector dial may be turned in either direction. The following page shows the recommended range of stitch lengths.

Adjust the stitch length with the stitch length dial (b) according to the fabric being used. (Model 1409 only)



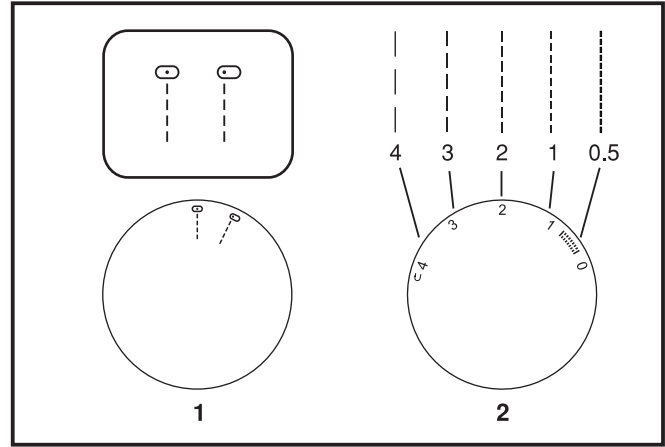
- a. Pattern Selector Dial
- b. Stitch Length Dial (Model 1409 only)
- c. Reverse Sewing Lever

Model	Stitch pattern
1408	
1409	

□ **Stitch Length Dial (Model 1409 only)**

Function of stitch length dial for when straight stitching

For straight stitch sewing, turn the Pattern Selector Dial to the straight stitch setting. (1) Turn the Stitch Length Dial, and the length of the individual stitches will decrease as the dial approaches "0". The length of the individual stitches will increase as the dial approaches "4". (2) Generally speaking, use a longer stitch length when sewing heavier weight fabrics or when using a thicker needle or thread. Use a shorter stitch length when sewing lighter weight fabrics or when using a finer needle or thread.



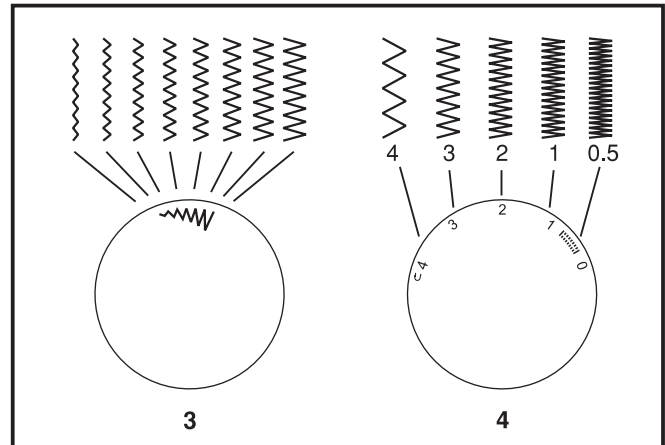
Function of stitch length dial while zig-zag stitching

Turn the Pattern Selector Dial to "~~~~~". (3)

The density of zig-zag stitches increases as the setting of stitch length dial approaches "0".

Neat zig-zag stitches are usually achieved at "2.5" or below.

Dense zig-zag stitches are called satin stitches. (4)

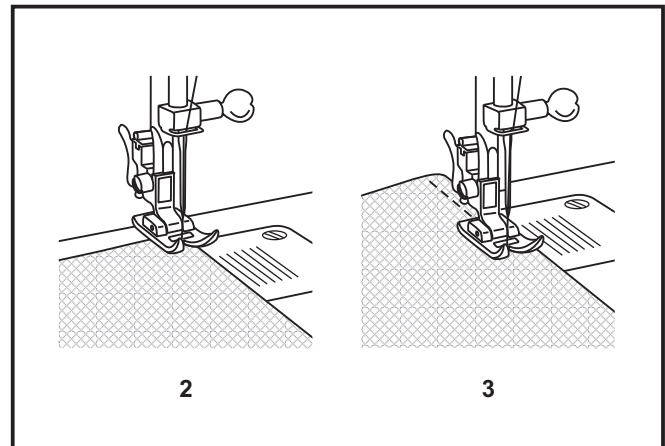
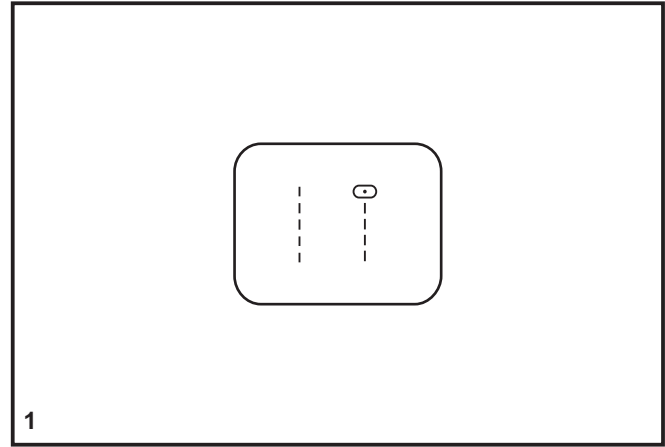


□ Sewing Straight Stitch

To begin sewing, set the machine for straight stitch. (1)

Place the fabric under the presser foot with the fabric edge lined up with the desired seam guide line on the needle plate. (2)

Lower the presser foot lifter, and then step on the foot controller to start sewing. (3)



Reverse Sewing

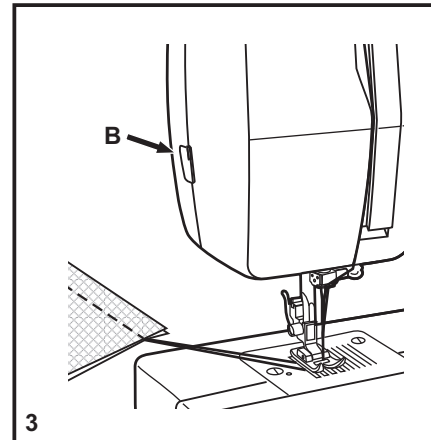
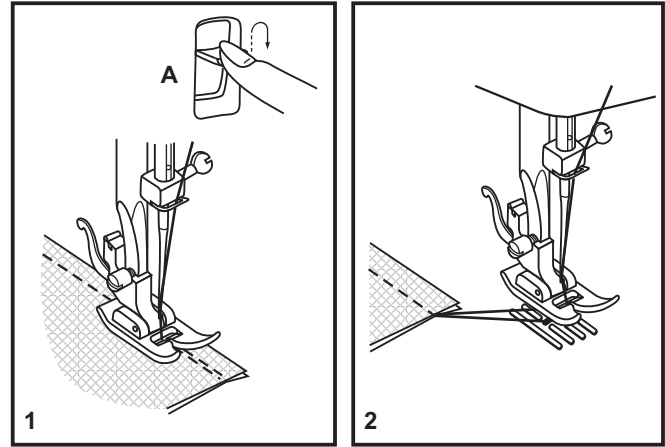
To secure the beginning and the end of a seam, press down the reverse sewing lever (A). Sew a few reverse stitches. Release the lever and the machine will sew forward again. (1)

Removing the Work

Turn the handwheel toward you (counterclockwise) to bring the thread take up lever to its highest position and the needle begins to descend, raise the presser foot and remove work behind the needle and presser foot. (2)

Cutting the Thread

Pull the threads under and behind the presser foot. Guide the threads to the side of the face plate and into thread cutter (B). Pull threads down to cut. (3)



□ Blind Hem

For hems, curtains, trousers, skirts, etc.

~~~~~ Blind hem for stretch fabrics.

..A..A.. Blind hem/ lingerie for firm fabrics.

### Note:

It takes practice to sew blind hems. Always make a sewing test first.

### Blind Hem:

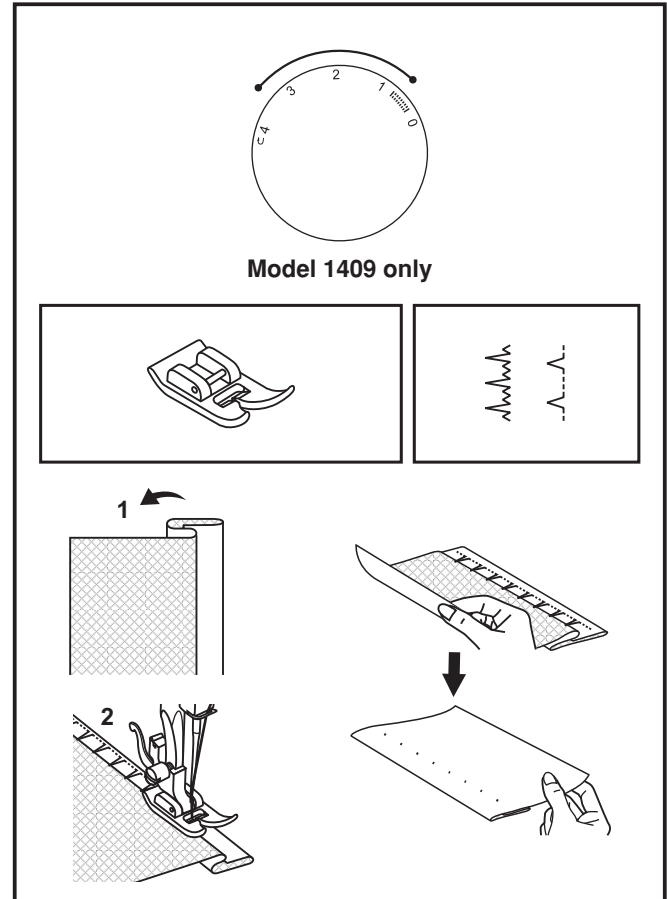
Turn up the hem to the desired width and press. Fold back (as shown in Fig. 1) against the right side of the fabric with the top edge of the hem extending about 7 mm. (1/4") to the right side of the folded fabric.

Start to sew slowly on the fold, making sure the needle touches slightly the folded top to catch one or two fabric threads. (2)

Unfold the fabric when hemming is completed and press.

### Lingerie Stitch:

Turn up the hem to the desired width and press. Place fabric right side up with edge of hem to the left. Begin sewing so the needle swings off the left edge of the fabric to form a small scallop. Tightening the tension slightly will produce a deeper scallop.



## □ Sew 4-step Buttonholes

### Prepare

1. Take off the all purpose foot and attach the buttonhole foot.
2. Measure diameter and thickness of button and add 0.3cm (1/8") for bartacks to obtain correct buttonhole length; mark buttonhole size on fabric (a).
3. Place fabric under the foot, so that marking on the buttonhole foot aligns with starting marking on fabric. Lower the foot, so that the buttonhole center line marked on the fabric aligns with the center of the buttonhole foot (b).

Adjust the Stitch Length Dial (model 1409 only) in the "00000" range to set stitch density.

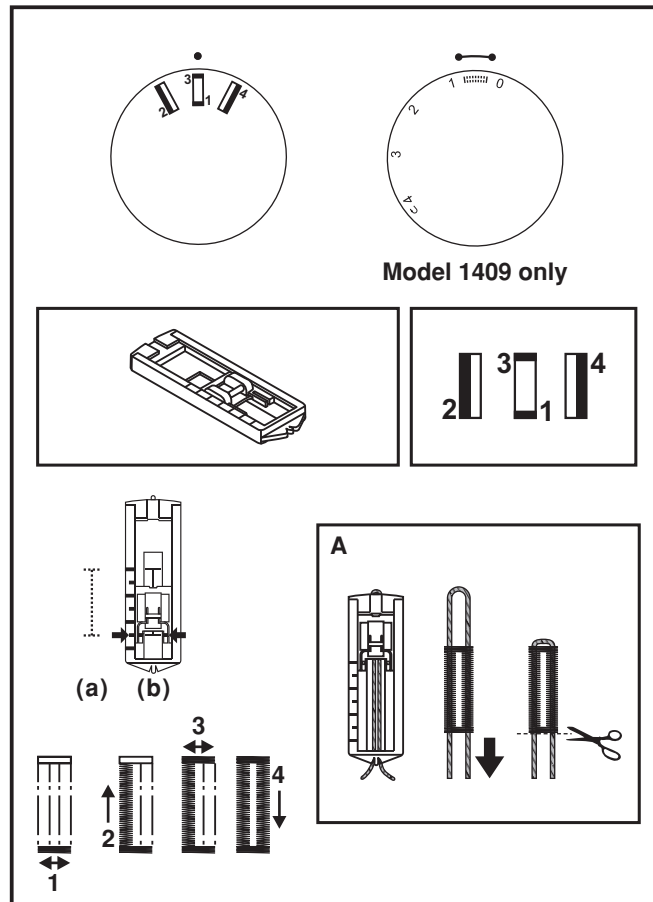
#### Note:

Density varies according to the fabric.  
Always test sew a buttonhole on the fabric you are using to sew the buttonhole.

Follow the 4-step sequence changing from one step to another with the Pattern Selector Dial. When moving from step to step through the buttonhole process, be sure that the needle is raised before turning the Pattern Selector Dial to the next step. Take care not to sew too many stitches in steps 1 and 3. Use seam ripper and cut buttonhole open from both ends towards the middle.

#### Tips:

- Slightly reducing upper thread tension will produce better results.
- Use a stabilizer for fine or stretchy fabrics.
- It is advisable to use heavy thread or cord for stretch or knit fabrics. The zig-zag should sew over the heavy thread or cord. (A)



## □ Sewing on Buttons (Model 1408 only)

Install the darning plate. (1)

Change the all purpose foot to button sewing foot. (2)

Position the work under the foot.

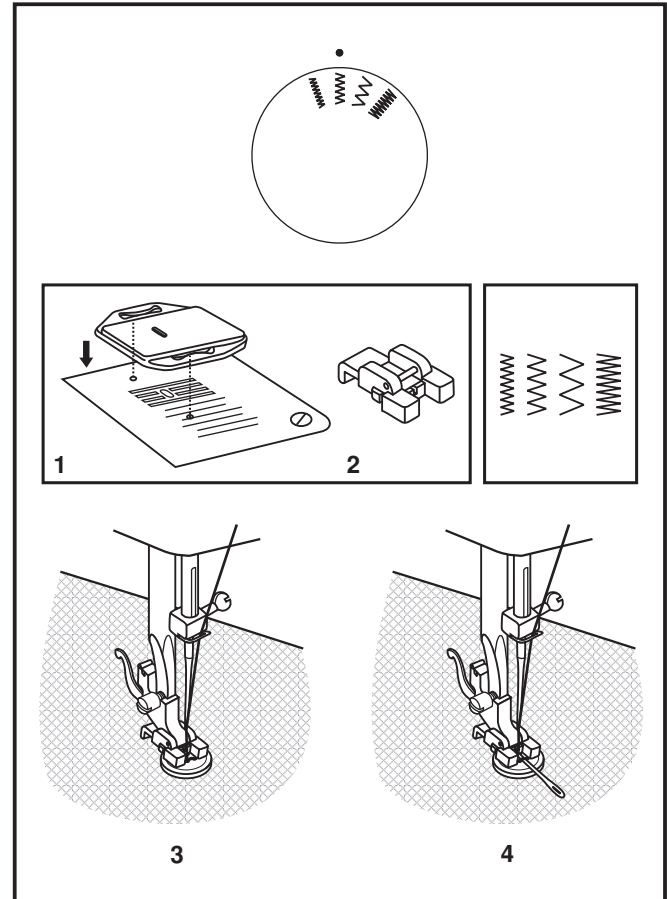
Place the button in the desired position and lower the foot.

Set the Pattern Selector Dial for the second zig-zag pattern (as shown), which should correspond to the distance between the two holes of the button. Turn the handwheel toward you to check if the needle goes into the right and left hole of the button without hitting the button. Slowly sew on the button with about 10 stitches. (3)

Bring the thread tails to the back of the work, then tie off manually.

If a shank is required, place a darning needle on top of the button and sew. (4)

For buttons with 4 holes, sew through the front two holes first, push the work forward and then sew through the back two holes.



## □ Sewing on Buttons (Model 1409 only)

Install the darning plate. (1)

Change the all purpose foot to button sewing foot. (2)

Position the work under the foot.

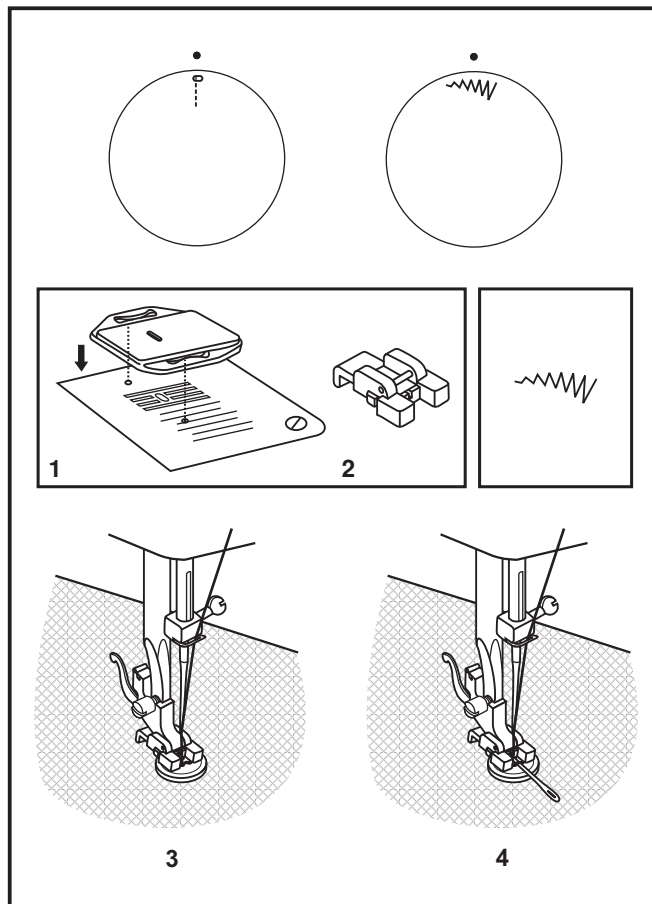
Place the button in the desired position and lower the foot.

Set the Pattern Selector Dial on "0" and sew a few securing stitches. Select one of the narrow zig-zag patterns according to the distance between the two holes of the button. Turn the handwheel to check if the needle goes into the right and the left hole of the button without hitting the button. Slowly sew on the button with about 10 stitches.

Select pattern "0" and sew a few securing stitches. (3)

If a shank is required, place a darning needle on top of the button and sew. (4)

For buttons with 4 holes, sew through the front two holes first, push the work forward and then sew through the back two holes.



## □ Free Motion Darning, Stippling

\* The darning/ embroidery foot is an optional accessory not included with your machine. (1)

### Darning:

Install the darning plate. (2)

Remove the presser foot shank. (3)

Attach the darning/ embroidery foot to the presser foot bar. The lever (a) should be behind the needle clamp screw (b). Press the darning/ embroidery foot on firmly from behind with your index finger and tighten the screw (c). (4)

For darning, first sew around the edge of the hole (to secure the threads). (5)

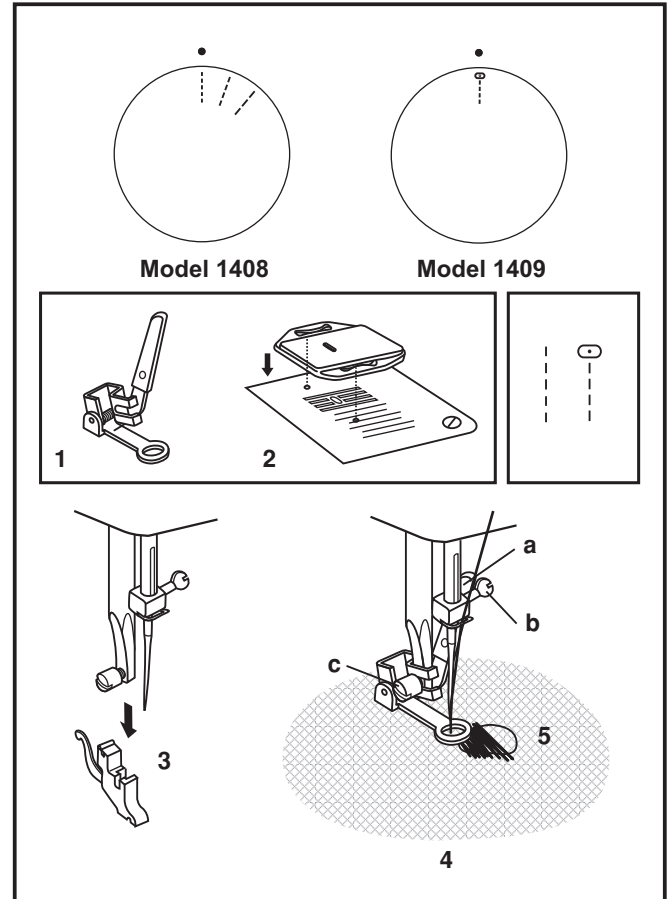
First row: Always work from left to right. Turn work by 90° and sew over previous stitching. A darning hoop is recommended for easier sewing and better results.

### Note:

Free motion darning is accomplished without the sewing machine internal feed system. Movement of the fabric is controlled by the operator. It is necessary to coordinate sewing speed and movement of fabric.

### Stippling:

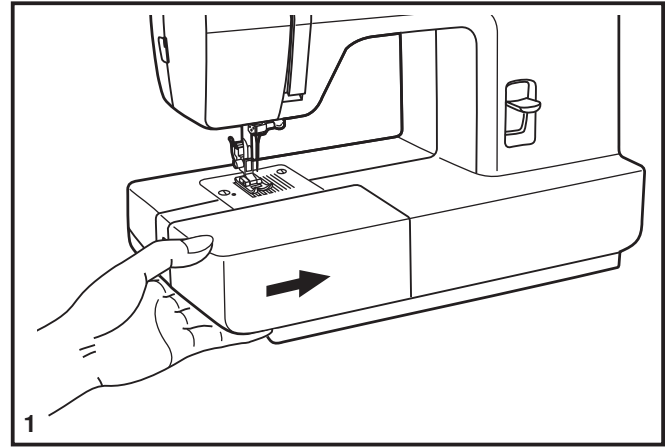
Set the machine for straight stitch. Using the optional darning/ embroidery foot will help guide you as you sew, in a meandering fashion to create small curving lines to hold layers of fabric and batting together.



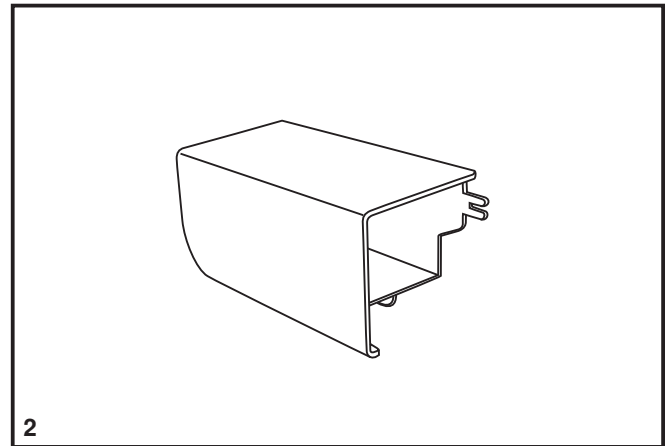
## □ Installing the Removable Extension Table

Hold the removable extension table horizontally, and push it in the direction of the arrow. (1)

To remove the extension table, pull it toward the left.



The inside of the removable extension table can be utilized as an accessory box.





## □ Attaching the Presser Foot Shank

Raise the presser foot bar (a) with the presser foot lifter. Attach the presser foot shank (b) as illustrated. (1)

### Attaching the presser foot

Lower the presser foot shank (b) using the presser foot lifter, until the cut-out (c) is directly above the pin (d). (2) The presser foot (f) will engage automatically.

### Removing the presser foot

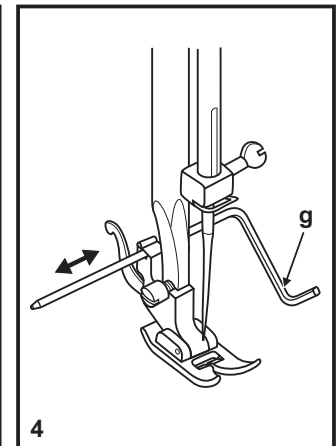
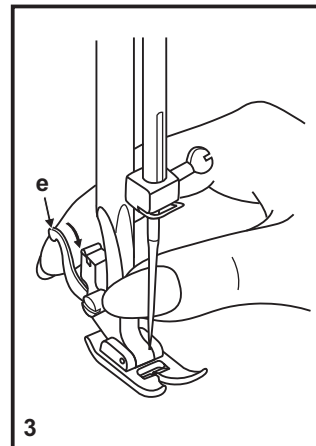
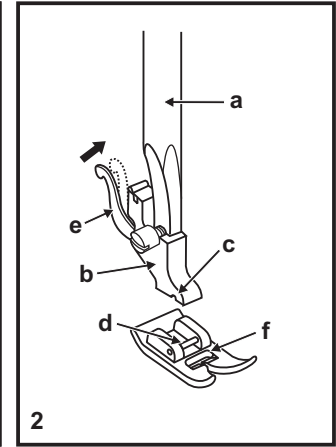
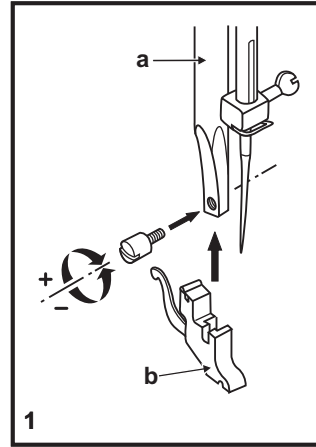
Raise the presser foot using the presser foot lifter. (3)  
Raise the lever (e) and the foot disengages.

### Attaching the edge/ quilting guide

Attach the edge/ quilting guide (g) in the slot as illustrated. Adjust as needed for hems, pleats, quilting, etc. (4)

#### Attention:

Turn power switch to off ("O") when carrying out any of the above operations!



## ☐ Needle/ Fabric/ Thread Chart

### NEEDLE, FABRIC, THREAD SELECTION GUIDE

| NEEDLE SIZE   | FABRICS                                                                                                                                             | THREAD                                                                                                                                                                                                                                    |
|---------------|-----------------------------------------------------------------------------------------------------------------------------------------------------|-------------------------------------------------------------------------------------------------------------------------------------------------------------------------------------------------------------------------------------------|
| 9-11 (70-80)  | Lightweight fabrics-thin cottons, voile, silk, muslin, interlocks, cotton knits, tricots, jerseys, crepes, woven polyester, shirt & blouse fabrics. | Light-duty thread in cotton, nylon, polyester or cotton wrapped polyester.                                                                                                                                                                |
| 11-14 (80-90) | Medium weight fabrics-cotton, satin, kettlecloth, sailcloth, double knits, lightweight woolens.                                                     | Most threads sold are medium size and suitable for these fabrics and needle sizes.<br>Use polyester threads on synthetic materials and cotton on natural woven fabrics for best results.<br>Always use the same thread on top and bottom. |
| 14 (90)       | Medium weight fabrics-cotton duck, woolen, heavier knits, terrycloth, denims.                                                                       |                                                                                                                                                                                                                                           |
| 16 (100)      | Heavyweight fabrics-canvas, woolens, outdoor tent and quilted fabrics, denims, upholstery material (light to medium).                               |                                                                                                                                                                                                                                           |
| 18 (110)      | Heavy woolen, overcoat fabrics, upholstery fabrics, some leathers and vinyls.                                                                       | Heavy duty thread, carpet thread.                                                                                                                                                                                                         |

**IMPORTANT:** Match needle size to thread size and weight of fabric.

### NEEDLE, FABRIC SELECTION

| NEEDLES      | EXPLANATION                                                            | TYPE OF FABRIC                                                                                                                                                                    |
|--------------|------------------------------------------------------------------------|-----------------------------------------------------------------------------------------------------------------------------------------------------------------------------------|
| SINGER® 2020 | Standard sharp needles. Sizes range thin to large. 9 (70) to 18 (110). | Natural woven fabrics-wool, cotton, silk, etc.<br>Not recommended for double knits.                                                                                               |
| SINGER® 2045 | Semi-ball point needle, scarfed. 9 (70) to 18 (110).                   | Natural and synthetic woven fabrics, polyester blends.<br>Knits-polyesters, interlocks, tricot, single and double knits.<br>Also sweater knits, Lycra®, swimsuit fabric, elastic. |
| SINGER® 2032 | Leather needles. 12 (80) to 18 (110).                                  | Leather, vinyl, upholstery. (Leaves smaller hole than standard large needle.)                                                                                                     |

**Note :**

1. For best sewing results always use genuine SINGER® needles.
2. Replace needle often (approximately every other garment ) and/ or at first thread breakage or skipped stitches.

## Darning Plate

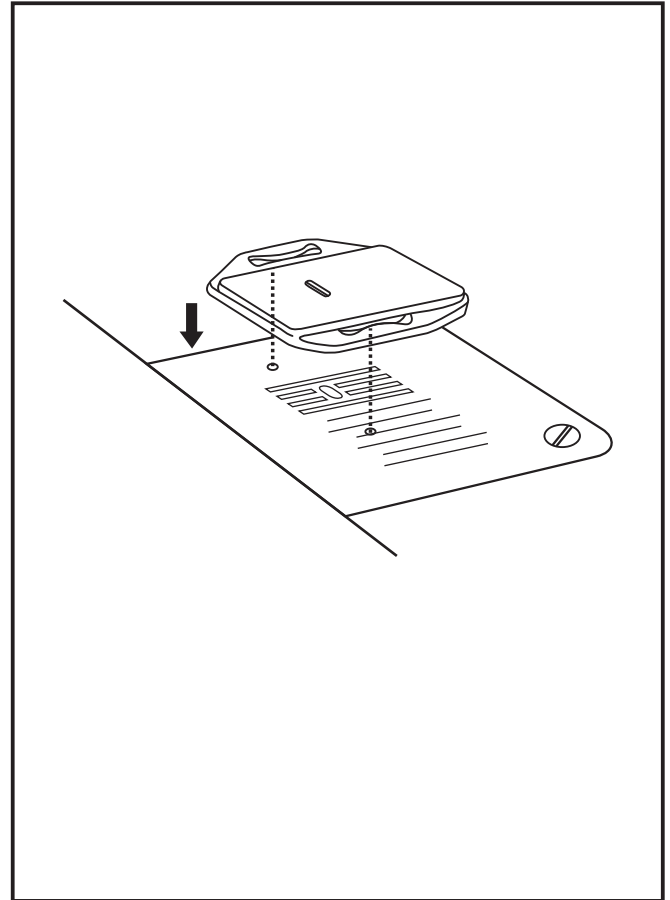
---

For certain types of work, (e.g. darning or free-hand embroidery), the darning plate must be used.

Install the darning plate as illustrated.

For normal sewing, remove the darning plate.

For free-motion sewing it is recommended to use a darning/embroidery foot, available as an optional accessory from authorized SINGER® retailers. (See page 6 for part number of darning/embroidery foot )



## □ Inserting & Changing Needles

Change the needle regularly, especially if it is showing signs of wear and causing problems. For best sewing results always use SINGER® Brand Needles.

Insert the needle as illustrated as follows:

- A. Loosen the needle clamp screw and tighten again after inserting the new needle. (1)
- B. The flat side of the shaft should be towards the back.
- C/D. Insert the needle as far as it will go.

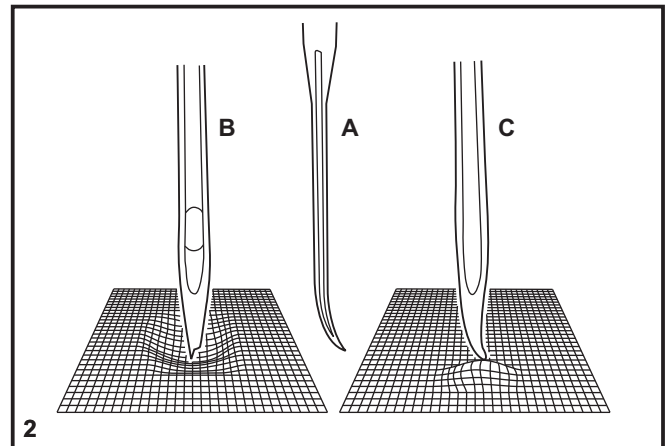
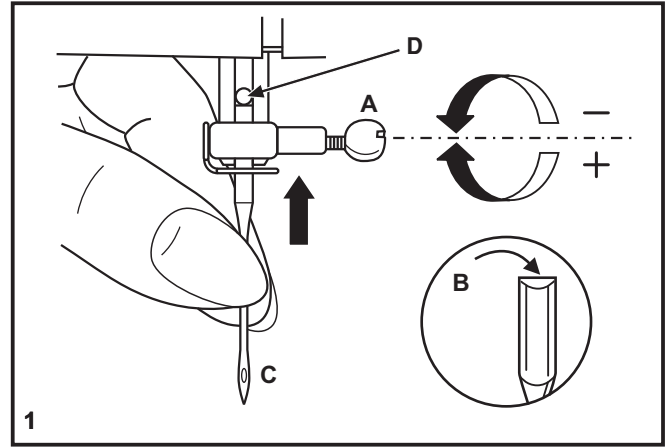
### **Attention:**

Turn power switch to off ("O") before inserting or removing the needle.

Needles must be in perfect condition. (2)

Problems can occur with:

- A. Bent needles
- B. Damaged points
- C. Blunt needles



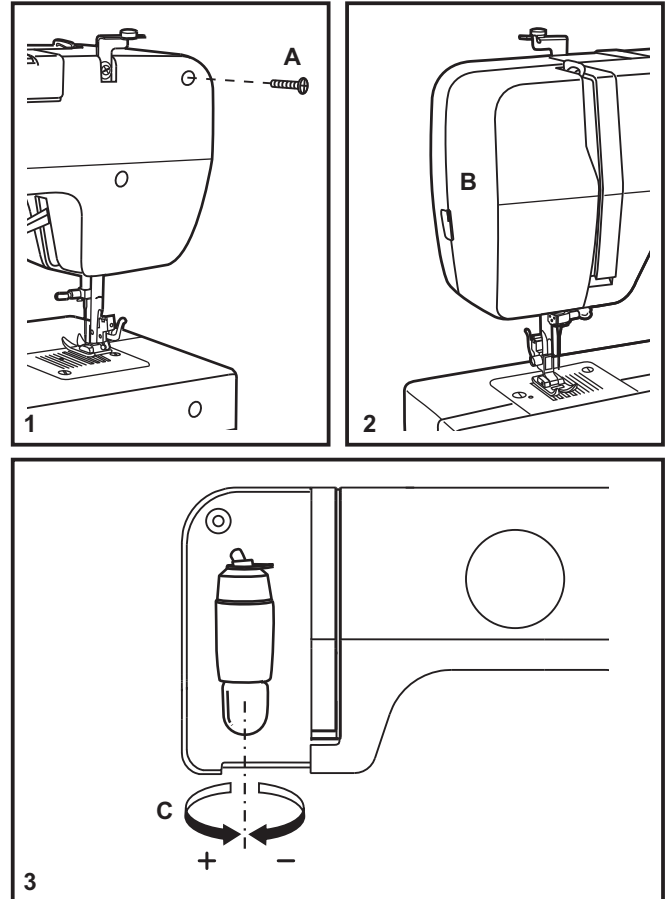
## □ Changing the Bulb

Disconnect the machine from the power supply by removing the plug from the main socket!

Replace bulb with same type rated 10 watts (110-120V area) or 15 watts (220-240V area).

- Loosen screw (A) as illustrated. (1)
- Remove the face plate (B). (2)
- Unscrew the bulb and install a new one (C). (3)
- Replace the face plate and tighten screw.

Should there be any problem, consult your authorized SINGER® retailer.



## □ Troubleshooting Guide

---

| <b>Problem</b>               | <b>Cause</b>                                                                                                                                                                                                                                                                                                                            | <b>Correction</b>                                                                                                                                                                                                                                                                                                             |
|------------------------------|-----------------------------------------------------------------------------------------------------------------------------------------------------------------------------------------------------------------------------------------------------------------------------------------------------------------------------------------|-------------------------------------------------------------------------------------------------------------------------------------------------------------------------------------------------------------------------------------------------------------------------------------------------------------------------------|
| Upper thread breaks          | <ol style="list-style-type: none"><li>1. The machine is not threaded correctly.</li><li>2. The thread tension is too tight.</li><li>3. The thread is too thick for the needle.</li><li>4. The needle is not inserted correctly.</li><li>5. The thread is wound around the spool holder pin.</li><li>6. The needle is damaged.</li></ol> | <ol style="list-style-type: none"><li>1. Rethread the machine.</li><li>2. Reduce the thread tension. (lower number)</li><li>3. Select a larger needle.</li><li>4. Remove and reinsert the needle. (flat side towards the back)</li><li>5. Remove the reel and wind thread onto reel.</li><li>6. Replace the needle.</li></ol> |
| Lower thread breaks          | <ol style="list-style-type: none"><li>1. The bobbin case is not inserted correctly.</li><li>2. The bobbin case is threaded wrong.</li><li>3. The lower thread tension is too tight.</li></ol>                                                                                                                                           | <ol style="list-style-type: none"><li>1. Remove and reinsert the bobbin case and pull on the thread. The thread should pull easily.</li><li>2. Check both bobbin and bobbin case.</li><li>3. Loosen lower thread tension as described.</li></ol>                                                                              |
| Skipped stitches             | <ol style="list-style-type: none"><li>1. The needle is not inserted correctly.</li><li>2. The needle is damaged.</li><li>3. The wrong size needle has been used.</li><li>4. The foot is not attached correctly.</li></ol>                                                                                                               | <ol style="list-style-type: none"><li>1. Remove and reinsert needle. (flat side towards the back)</li><li>2. Insert a new needle.</li><li>3. Choose a needle to suit the thread and fabric.</li><li>4. Check and attach correctly.</li></ol>                                                                                  |
| Needle breaks                | <ol style="list-style-type: none"><li>1. The needle is damaged.</li><li>2. The needle is not correctly inserted.</li><li>3. Wrong needle size for the fabric.</li><li>4. The wrong foot is attached.</li></ol>                                                                                                                          | <ol style="list-style-type: none"><li>1. Insert a new needle.</li><li>2. Insert the needle correctly. (flat side towards the back)</li><li>3. Choose a needle to suit the thread and fabric.</li><li>4. Select the correct foot.</li></ol>                                                                                    |
| Loose stitches               | <ol style="list-style-type: none"><li>1. The machine is not correctly threaded.</li><li>2. The bobbin case is not correctly threaded.</li><li>3. Needle/ fabric/ thread combination is wrong.</li><li>4. Thread tension wrong.</li></ol>                                                                                                | <ol style="list-style-type: none"><li>1. Check the threading.</li><li>2. Thread the bobbin case as illustrated.</li><li>3. The needle size must suit the fabric and thread.</li><li>4. Correct the thread tension.</li></ol>                                                                                                  |
| Seams gather or pucker       | <ol style="list-style-type: none"><li>1. The needle is too thick for the fabric.</li><li>2. The stitch length is wrong adjusted.</li><li>3. The thread tension is too tight.</li></ol>                                                                                                                                                  | <ol style="list-style-type: none"><li>1. Select a finer needle.</li><li>2. Readjust the stitch length.</li><li>3. Loosen the thread tension.</li></ol>                                                                                                                                                                        |
| Uneven stitches, uneven feed | <ol style="list-style-type: none"><li>1. Poor quality thread.</li><li>2. The bobbin case is wrong threaded.</li><li>3. Fabric has been pulled.</li></ol>                                                                                                                                                                                | <ol style="list-style-type: none"><li>1. Select a better quality thread.</li><li>2. Remove bobbin case, thread and insert correctly.</li><li>3. Do not pull on the fabric while sewing, let it be taken up by the machine.</li></ol>                                                                                          |
| The machine is noisy         | <ol style="list-style-type: none"><li>1. Lint or oil have collected on the hook or needle bar.</li><li>2. The needle is damaged.</li></ol>                                                                                                                                                                                              | <ol style="list-style-type: none"><li>1. Clean the hook and feed dog as described.</li><li>2. Replace the needle.</li></ol>                                                                                                                                                                                                   |
| The machine jams             | Thread is caught in the hook.                                                                                                                                                                                                                                                                                                           | Remove the upper thread and bobbin case, turn the handwheel backwards and forwards by hand and remove the thread.                                                                                                                                                                                                             |



Please note that on disposal, this product must be safely recycled in accordance with relevant National legislation relating to electrical/electronic products. If in doubt please contact your retailer for guidance.





Harap perhatikan bahwa pada saat dibuang, produk ini harus didaur ulang dengan aman sesuai dengan perundangan nasional yang berlaku mengenai produk listrik/elektronik. Jika anda ragu hubungi dealer anda.

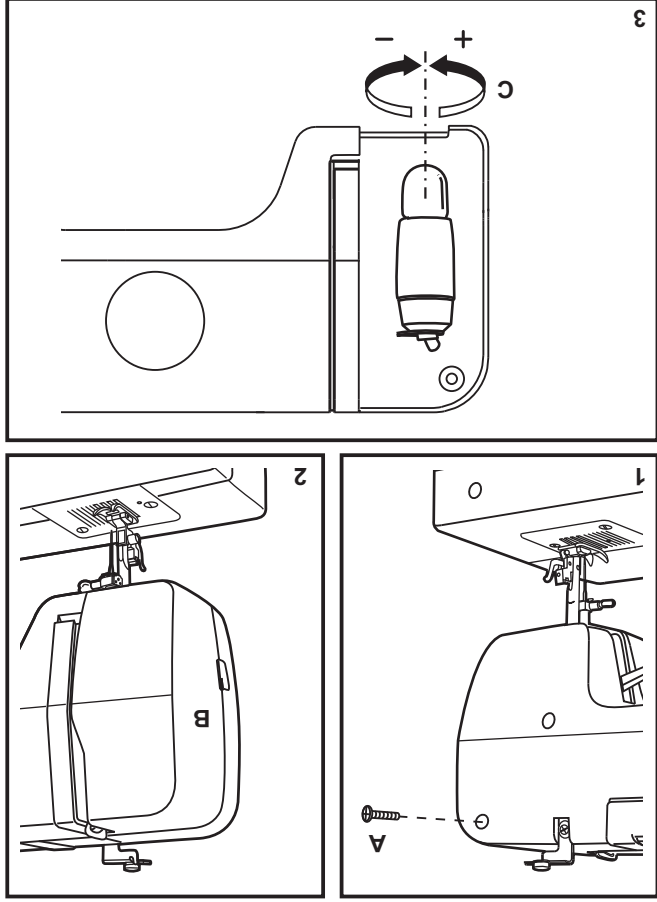


| Masalah                        | Penyebab                                                                                                                                                                                                                                                                                                               | Perbaikan                                                                                                                                                                                                                                                                                                                      |
|--------------------------------|------------------------------------------------------------------------------------------------------------------------------------------------------------------------------------------------------------------------------------------------------------------------------------------------------------------------|--------------------------------------------------------------------------------------------------------------------------------------------------------------------------------------------------------------------------------------------------------------------------------------------------------------------------------|
| Benang atas putus              | <ol style="list-style-type: none"> <li>1. Mesin tidak terpasang dengan benar.</li> <li>2. Kecepatan terlalu kencang.</li> <li>3. Benang terlalu tebal untuk jarum.</li> <li>4. Benang tidak dimasukkan dengan benar.</li> <li>5. Benang tergulung disekeliling pasak penahan spul.</li> <li>6. Jarum rusak.</li> </ol> | <ol style="list-style-type: none"> <li>1. Pasang benang kembali.</li> <li>2. Kurangi kecepatan benang (Angka lebih rendah).</li> <li>3. Pilih jarum lebih besar.</li> <li>4. Lepas &amp; masukkan kembali jarum (sisi rata dibelakang).</li> <li>5. Lepaskan rol dan gulung benang ke rol.</li> <li>6. Ganti jarum.</li> </ol> |
| Benang bawah putus             | <ol style="list-style-type: none"> <li>1. Rumah spul (sekoci) tidak dimasukkan dengan benar.</li> <li>2. Rumah spul (sekoci) tidak terpasang dengan benar.</li> <li>3. Kecepatan benang terlalu kencang.</li> </ol>                                                                                                    | <ol style="list-style-type: none"> <li>1. Lepas dan masukkan kembali rumah spul (sekoci) dan tarik keluar benang.</li> <li>2. Periksa spul maupun rumah spul (sekoci).</li> <li>3. Kendurkan kecepatan benang bawah seperti dijelaskan.</li> </ol>                                                                             |
| Jahitan loncat                 | <ol style="list-style-type: none"> <li>1. Jarum tidak terpasang dengan benar.</li> <li>2. Jarum rusak.</li> </ol>                                                                                                                                                                                                      | <ol style="list-style-type: none"> <li>1. Lepas &amp; masukkan kembali jarum (sisi rata dibelakang).</li> <li>2. Masukkan jarum baru.</li> </ol>                                                                                                                                                                               |
| Jarum patah                    | <ol style="list-style-type: none"> <li>1. Jarum rusak.</li> <li>2. Jarum tidak terpasang dengan benar.</li> <li>3. Ukuran jarum tidak cocok dengan kain.</li> <li>4. Sepatu tidak terpasang dengan benar.</li> </ol>                                                                                                   | <ol style="list-style-type: none"> <li>1. Masukkan jarum baru.</li> <li>2. Periksa dan pasang dengan benar.</li> </ol>                                                                                                                                                                                                         |
| Jahitan longgar                | <ol style="list-style-type: none"> <li>1. Rumah spul (sekoci) tidak terpasang dengan benar.</li> <li>2. Rumah spul (sekoci) tidak terpasang dengan benar.</li> <li>3. Kombinasi jarum/benang/kain salah.</li> <li>4. Kecepatan benang tidak tepat.</li> </ol>                                                          | <ol style="list-style-type: none"> <li>1. Periksa pasangan benang.</li> <li>2. Pasang benang ke spul seperti dijelaskan.</li> <li>3. Ukuran jarum harus cocok dengan kain dan benang.</li> <li>4. Betulkan kecepatan benang.</li> </ol>                                                                                        |
| Keilm mengumpul atau mengkerut | <ol style="list-style-type: none"> <li>1. Jarum terlalu tebal untuk kain.</li> <li>2. Panjang jahitan tidak disesuaikan dengan benar.</li> <li>3. Kecepatan benang terlalu kencang.</li> </ol>                                                                                                                         | <ol style="list-style-type: none"> <li>1. Pilih jarum lebih tipis.</li> <li>2. Sesuaikan kembali panjang jahitan.</li> <li>3. Kendurkan kecepatan benang.</li> </ol>                                                                                                                                                           |
| Jahitan dan tarikan tidak rata | <ol style="list-style-type: none"> <li>1. Benang berkualitas buruk.</li> <li>2. Rumah spul (sekoci) tidak terpasang dengan benar.</li> <li>3. Kain terarik.</li> </ol>                                                                                                                                                 | <ol style="list-style-type: none"> <li>1. Pilih benang berkualitas lebih baik.</li> <li>2. Keluarkan rumah spul (sekoci), pasang &amp; masukkan benang dengan benar.</li> </ol>                                                                                                                                                |
| Mesin bisping                  | <ol style="list-style-type: none"> <li>1. Mesin harus diminyaki.</li> <li>2. Kain tirus dan minyak terkumpul pada pengait atau gagang jarum.</li> <li>3. Minyak yang digunakan kualitasnya buruk.</li> <li>4. Jarum rusak.</li> </ol>                                                                                  | <ol style="list-style-type: none"> <li>1. Minyaki seperti dijelaskan.</li> <li>2. Bersihkan pengait dan gigi seperti dijelaskan.</li> <li>3. Hanya gunakan minyak berkualitas baik.</li> <li>4. Ganti jarum.</li> </ol>                                                                                                        |
| Mesin macet                    | <ol style="list-style-type: none"> <li>1. Benang tersangkut dipengait.</li> </ol>                                                                                                                                                                                                                                      | <ol style="list-style-type: none"> <li>1. Lepaskan benang atas dan rumah spul (sekoci), putar roda tangan mundur maju dan minyak seperti dijelaskan.</li> </ol>                                                                                                                                                                |

## □ Mengganti Bohlam

Putuskan sambungan listrik mesin dari catu daya dengan mencabut steker dari soket utama!  
Gantilah bohlam dengan tipe sama yang berdaya nominal 15 watts (area 110-120V / area 220-240V).

- Kendurkan sekrup (A) seperti ditunjukkan pada gambar. (1)
  - Lepaskan penutup depan. (B)
  - Lepaskan bohlam dan pasang bohlam baru (C). (2)
  - Pasang kembali plat depan dan kencangkan sekrup.
- Jika timbul masalah, hubungi dealer SINGER® anda.



## Memasukkan Dan Menganti Jarum

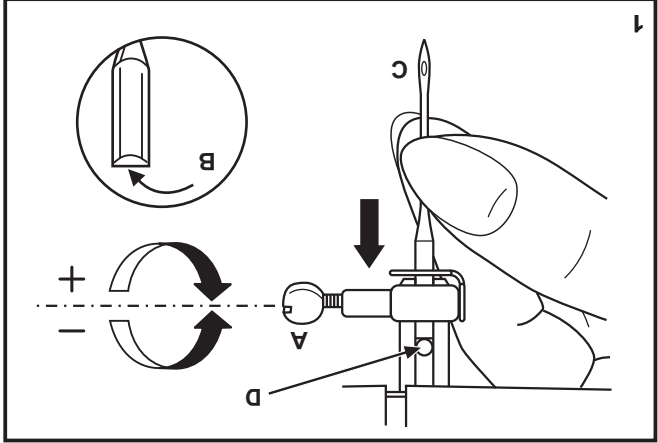
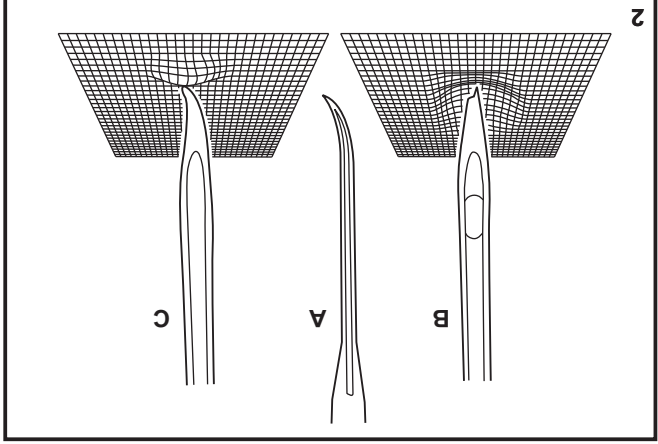
Gantilah jarum secara teratur, terutama jika jarum menunjukkan tanda-tanda aus dan menyebabkan masalah. Untuk memperoleh jahitan terbaik, selalu gunakan jarum Merek SINGER®.

Masukkan jarum seperti ditunjukkan pada gambar berikut ini:  
A. Kendurkan sekrup klem jarum dan kecangkan kembali sesudah memasukkan jarum baru. (1)  
B. Sisi rata batang jarum harus menghadap belakang.  
C/D. Masukkan jarum keatas setinggi-tingginya.

**Perhatian:**  
Putar saklar listrik ke mati ("O") sebelum memasukkan atau melepas jarum.

Jarum harus dalam kondisi sempurna. (2)

Masalah dapat terjadi karena:  
A. Jarum bengkok  
B. Ujung jarum rusak  
C. Jarum tumpul



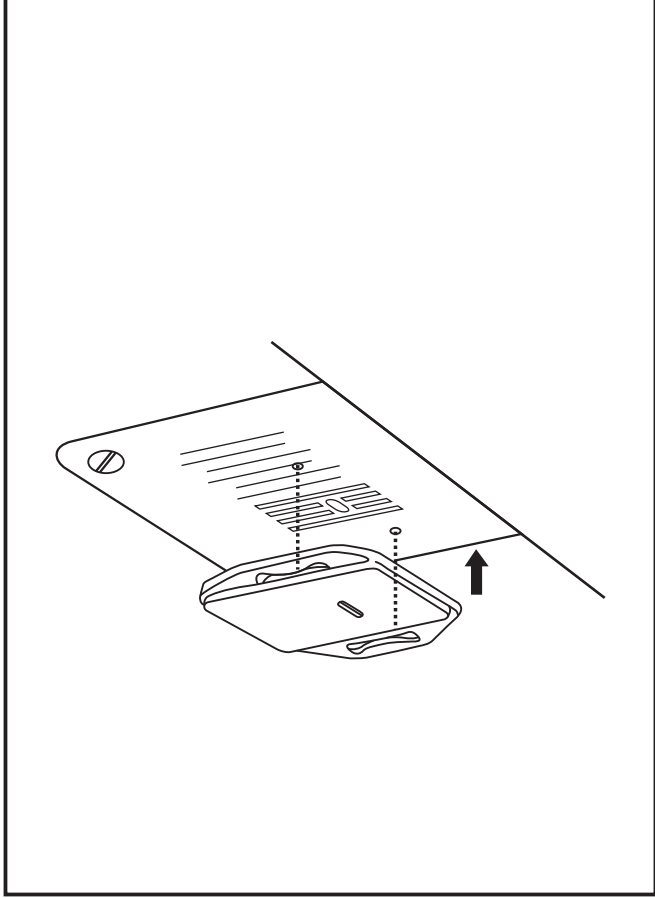
## Plat Tisik

Untuk jenis kain tertentu (contohnya, bordir tisik atau tangan bebas), plat tisik harus digunakan.

Pasang plat tisik seperti ditunjukkan pada gambar.

Untuk menjahit normal, lepaskan plat tisik.

Untuk menjahit gerak bebas, anda disarankan untuk menggunakan sepatu tisik/bordir, yang tersedia sebagai aksesoris pilihan dari dealer SINGER®. (Lihat halaman 6 untuk nomor sukucadang sepatu tisik/bordir.)



Tabeljaringum / Kain / Benang

**PEDOMAN PEMILIHAN JARUM, KAIN, DAN BENANG**

| UKURAN JARUM  | KNIA                                                                                                                                 | BGNANE                                                                                                                                                                                                                                                       |
|---------------|--------------------------------------------------------------------------------------------------------------------------------------|--------------------------------------------------------------------------------------------------------------------------------------------------------------------------------------------------------------------------------------------------------------|
| 9-11 (70-80)  | Kain tipis - katun tipis, pual, sutera, muslin, interlock, rajutan katun, tricot, jersey, krep, polyester tenun, kain kaos dan blus. | Benang tipis pada katun, nylon, polyester atau polyester berselubung katun.                                                                                                                                                                                  |
| 11-14 (80-90) | Kain sedang - katun, satin, ketticloth, sailcloth, rajut ganda, wol tipis.                                                           | Sebagian besar benang yang dijual berukuran medium dan cocok untuk kain dan ukuran jarum ini. Gunakan benang polyester pada bahan sintesis dan katun pada kain tenun alam untuk memperoleh hasil terbaik. Selalu gunakan benang yang sama di atas dan bawah. |
| 14 (90)       | Kain sedang - cotton duck, wol, rajut tebal, terrycloth, denim.                                                                      |                                                                                                                                                                                                                                                              |
| 16 (100)      | Kain tebal - canvas, wol, kain tenda dan selimut luar ruang, denim, bahan pelapis (tipis hingga sedang).                             |                                                                                                                                                                                                                                                              |
| 18 (110)      | Wol tebal, kain mantel, kain pelapis, beberapa kulit dan vinyl.                                                                      | Benang tebal, benang karpet.                                                                                                                                                                                                                                 |

**PENTING:** Cocokkan ukuran jarum dengan ukuran benang dan berat kain.

**PEMILIHAN JARUM DAN KAIN**

| JARUM        | KETERANGAN                                                                       | JENIS BENANG                                                                                                        |
|--------------|----------------------------------------------------------------------------------|---------------------------------------------------------------------------------------------------------------------|
| SINGER® 2020 | Jarum tajam standar. Ukuran berkisar tipis hingga besar. 9 (70) hingga 18 (110). | Kain tenun alam - wol, katun, sutera, dan lain-lain. Tidak direkomendasikan untuk rajutan ganda.                    |
| SINGER® 2045 | Jarum semi-ballpoint, bertakik 9 (70) hingga 18 (110).                           | Kain tenun alam dan sintesis, campuran polyester. Rajutan-polyester, interlocks, tricot, rajutan tunggal dan ganda. |
| SINGER® 2032 | Jarum kulit. 12 (80) hingga 18 (110).                                            | Kulit, vinyl, bahan pelapis. (Meninggalkan lubang lebih kecil dibanding jarum besar standar.)                       |

**Catatan:**

1. Untuk memperoleh hasil jahitan terbaik, selalu gunakan jarum SINGER® asli.
2. Sering lakukan penggantian jarum (tiap/per pakaian) dan atau tiap kali benang putus atau jahitan loncat-loncat.

## □ Memasang Palang Sepatu Penindas

Naikkan gagang sepatu penindas (a) dengan tuas sepatu penindas. Pasang palang sepatu penindas (b) seperti ditunjukkan pada gambar. (1)

### Memasang sepatu penindas

Turunkan palang sepatu penindas (b) menggunakan tuas sepatu penindas, sampai ceruk/pengait (c) terletak tepat diatas pasak (d). (2) Sepatu penindas (f) akan mengunci secara otomatis.

### Melepas sepatu penindas

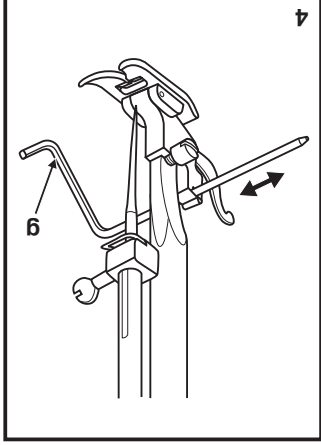
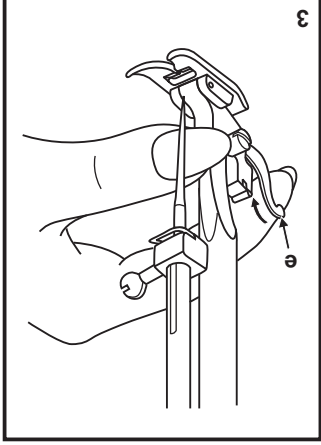
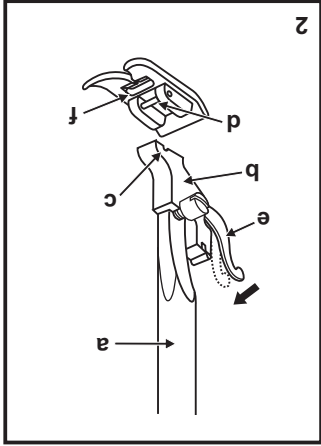
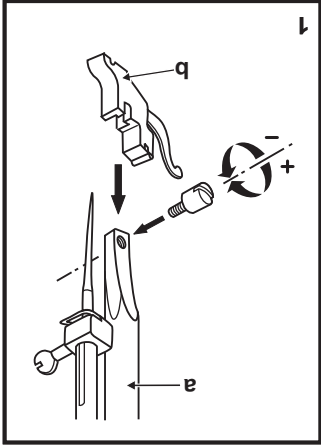
Naikkan sepatu penindas menggunakan tuas sepatu penindas. (3)  
Naikkan tuas (e) maka sepatu akan lepas.

### Memasang siku/pengantar quilts

Pasang siku/pengantar quilts (g) pada lubang seperti ditunjukkan pada gambar. Sesuaikan sepenuhnya untuk kelim, lipatan, quilting, dan lain-lain. (4)

### Perhatian:

Putar saklar listrik ke mati ("O") ketika melakukan semua operasi diatas!

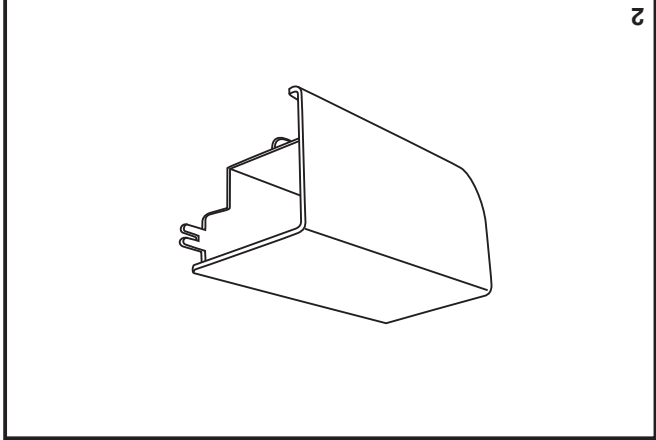
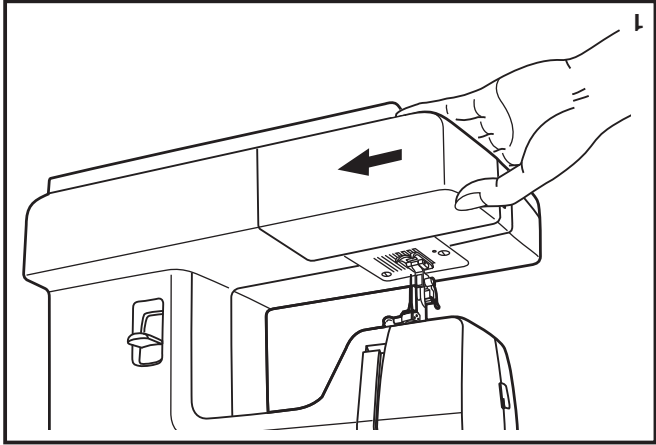


## Memasang Meja Perpanjangan

Pegang meja perpanjangan secara horisontal, dan dorong sesuai dengan arah panah yang terlihat pada gambar. (1)

Untuk melepas meja perpanjangan, tarik ke sisi kiri.

Dalam meja perpanjangan terdapat ruang kompartemen yang bisa digunakan sebagai kotak aksesoris.



## Bordir Gerak Bebas, Stippling

\*Sepatu bordir merupakan aksesoris pilihan yang tidak disediakan pada mesin jahit anda. (1)

### Mem bordir:

Pasang plat bordir. (2)

Lepaskan palang sepatu penindas. (3)

Pasang sepatu bordir ke gagang sepatu penindas. Tuas (a) harus tertetak di belakang sekrup klem jarum (b). Tekan sepatu bordir kuat-kuat dari belakang dengan jari telunjuk anda dan kencangkan sekrup (c). (4)

Untuk mem bordir, pertama-tama jahitlah di sekeliling pinggirannya lubang (untuk menguatkan benang). (5)

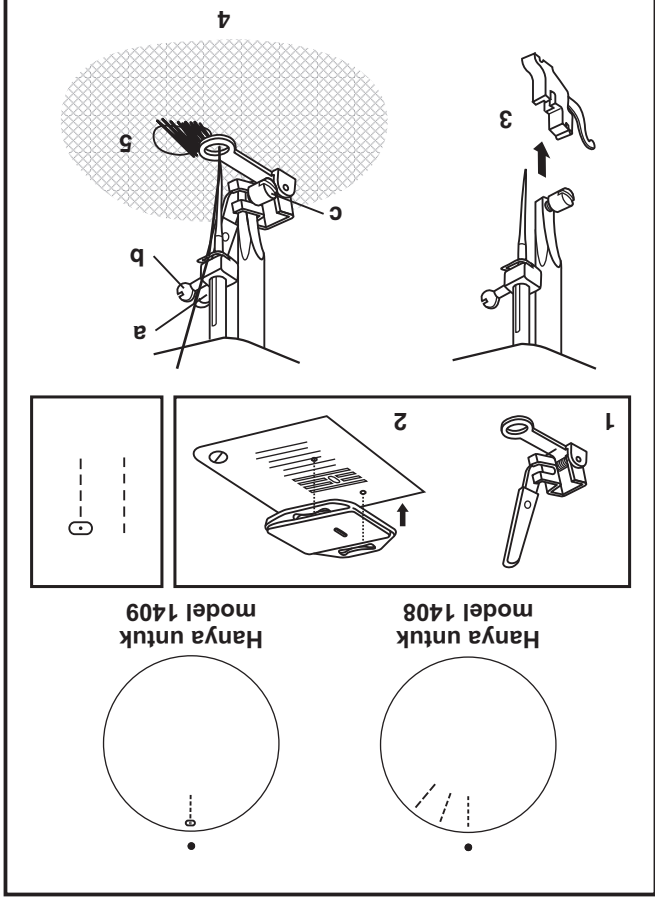
Baris pertama: Selalu bekerjalah dari kiri ke kanan. Putar kain 90° dan jahitlah diatas jahitan sebelumnya. Sampai bordir disarankan agar anda bisa menjahit lebih mudah dan memperoleh hasil lebih baik.

### Catatan:

Bordir gerak bebas dilakukan tanpa sistem penarik internal mesin jahit. Pergerakan kain dikendalikan oleh operator. Kecepatan dan pergerakan kain perlu dikordinasikan.

### Stippling (melukis dengan titik-titik):

Menjahitlah jahitan lurus. Menggunakan satu bordir pilihan akan membantu mentun anda ketika anda menjahit berkelok-kelok untuk menciptakan garis lengkung kecil yang menyatukan dan meratakan beberapa lapisan kain.





## □ Menjahit Kancing Baju (Hanya untuk model 1409)


Pasang plat tistik. (1)


Ganti sepatu serbaguna dengan sepatu menjahit kancing. (2)

Letakkan kain dibawah sepatu.

Letakkan kancing pada posisi yang diinginkan dan turunkan

sepatu.

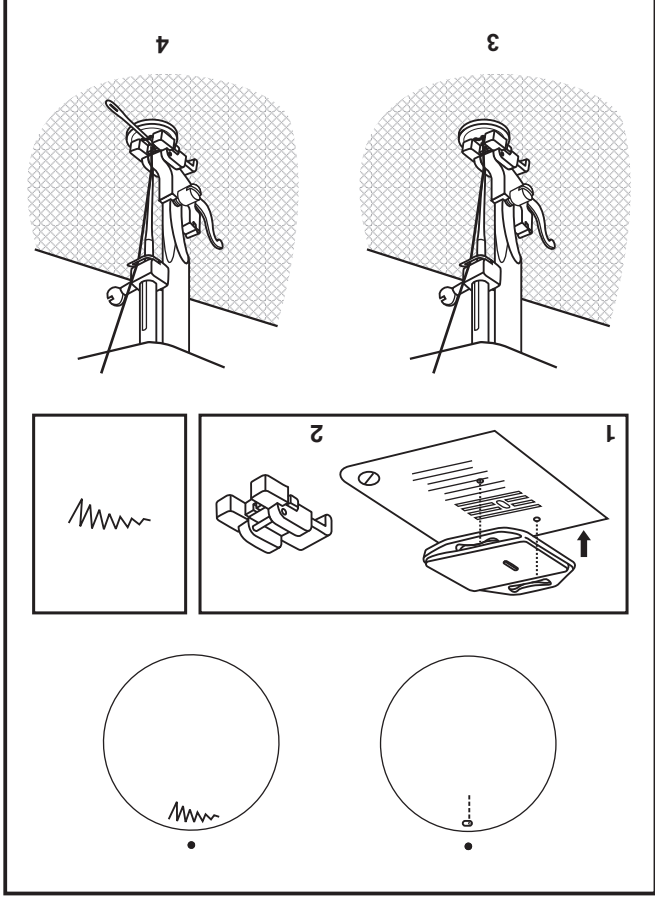
Setel kenop selektor pada "  " dan menjahitlah beberapa jahitan penguat. Pilih salah satu dari dua pola zigzag sesuai dengan jarak diantara kedua lubang kancing. Putar roda tangan untuk mengetahui apakah jarum tepat menembus lubang kiri dan kanan kancing. Sesuaikan lebar jahitan, seperlunya, sesuai dengan jarak diantara lubang kancing. Pelan-pelan menjahitlah diatas kancing dengan kira-kira 10 jahitan.

Pilih pola "  " dan menjahitlah beberapa jahitan penguat. (3)

Jika diperlukan palang, pasang jarum tistik di atas kancing

dan menjahitlah. (4)

Untuk kancing dengan 4 lubang, menjahitlah diatas dua lubang depan dahulu, dorong kain kedepan dan kemudian menjahit diatas dua lubang belakang.



## □ Menjahit Kancing Baju (Hanya untuk model 1408)

Pasang plat tistik. (1)

Ganti sepatu serbaguna dengan sepatu menjahit kancing. (2)

Letakkan kain dibawah sepatu.

Letakkan kancing pada posisi yang diinginkan dan turunkan sepatu.

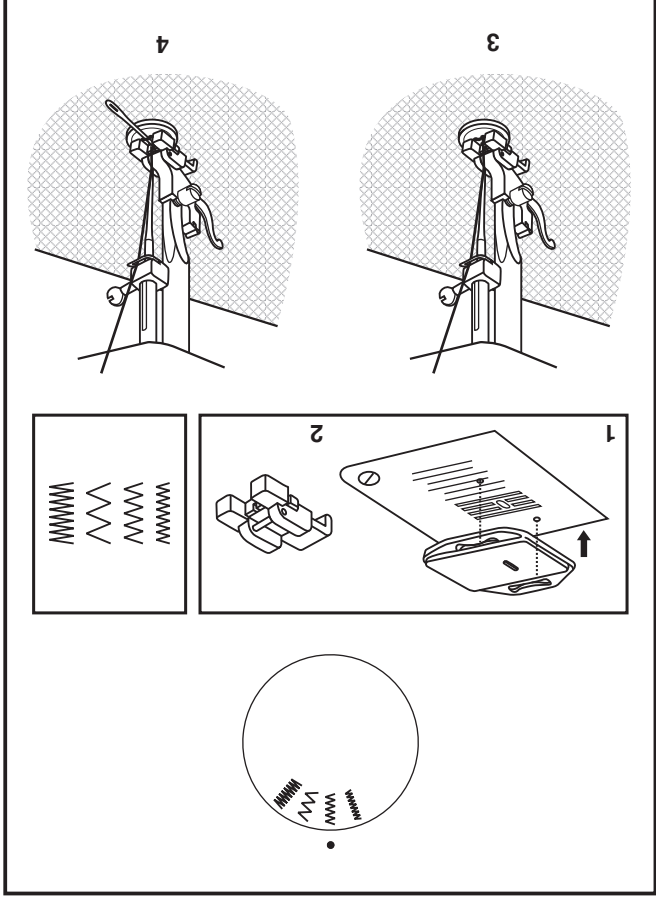
Putar Cakram Angka Panjang Jahitan ke model jahitan zig-zag (seperti yang terlihat pada gambar). Sesuaikan dan pastikan pas dengan jarak antara kedua lubang kancing.

Putar roda tangan untuk mengetahui apakah jarum tepat membus lubang kiri dan kanan kancing. Sesuaikan lebar jahitan, seperlunya, sesuai dengan jarak diantara lubang kancing. Pelan-pelan menjahitlah diatas kancing dengan kira-kira 10 jahitan.(3)

Bawa ujung benang ke belakang kain dan ikat manual.

Jika diperlukan palang, pasang jarum tistik di atas kancing dan menjahitlah. (4)

Untuk kancing dengan 4 lubang, menjahitlah diatas dua lubang depan dahulu, dorong kain kedepan dan kemudian menjahit diatas dua lubang belakang.



## Menjahit Lubang Kancing

### Persiapkan:

1. Lepas sepatu serbaguna dan pasang sepatu lubang kancing.
2. Ukur diameter dan ketebalan kancing dan tambahkan 0.3cm (1/8") untuk tiskan; tandai ukuran lubang kancing diatas kain (a).
3. Letakkan kain dibawah sepatu, sehingga tandai pada sepatu lubang kancing lurus dengan tanda awal pada kain. Turunkan sepatu, sehingga garis tengah lubang kancing yang ditandai pada kain lurus dengan bagian tengah sepatu lubang kancing (b).

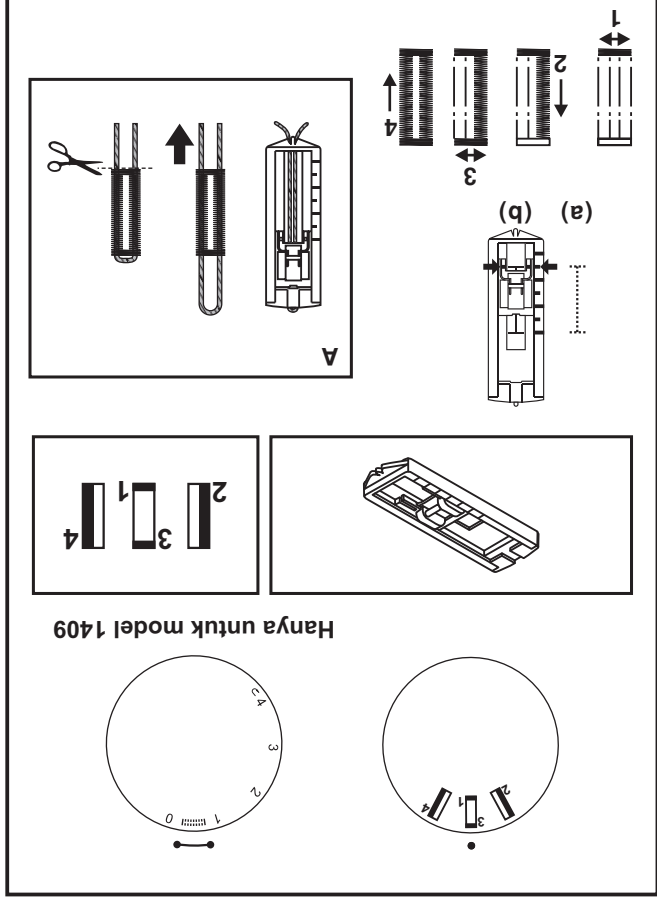
Putar Cakram Angka Jahitan (Hanya untuk model 1409) ke pilihan "....." untuk menyesuaikan kerapatan jahitan

**Catatan:**  
Kerapatan bervariasi sesuai kain. Selalu lakukan percobaan menjahit lubang kancing pada kain yang anda gunakan untuk menjahit lubang kancing.

Ikuti urutan 4 langkah yang berilih dari satu langkah ke langkah lain ini! dengan menggunakan cakram angka selector pola jahitan. Berhati-hatilah jangan sampai menjahit terlalu banyak jahitan pada langkah 1 dan 3. Gunakan penyobek kelim dan bukalah lubang kancing dari kedua ujung kearah tengah.

### Tips:

- Sedikit mengurangi keketaan benang atas akan memberikan hasil lebih baik.
- Gunakan alas untuk kain halus atau motor.
- Anda disarankan untuk menggunakan benang tebal atau tali untuk kain stretch atau aju. Zigzag harus dijahit diatas benang tebal atau tali. (A)



Hanya untuk model 1409

## □ Kelim Buta

Untuk kelim pada gorden, celana panjang, rok dan lain-lain.

▲▲▲ Kelim buta untuk kain stretch.

▲...▲ Kelim buta/lingerie untuk kain rapat.

### Catatan:

Perlu latihan untuk menjahit kelim buta. Selalu lakukan percobaan menjahit terlebih dulu.

### Kelim buta (sum):

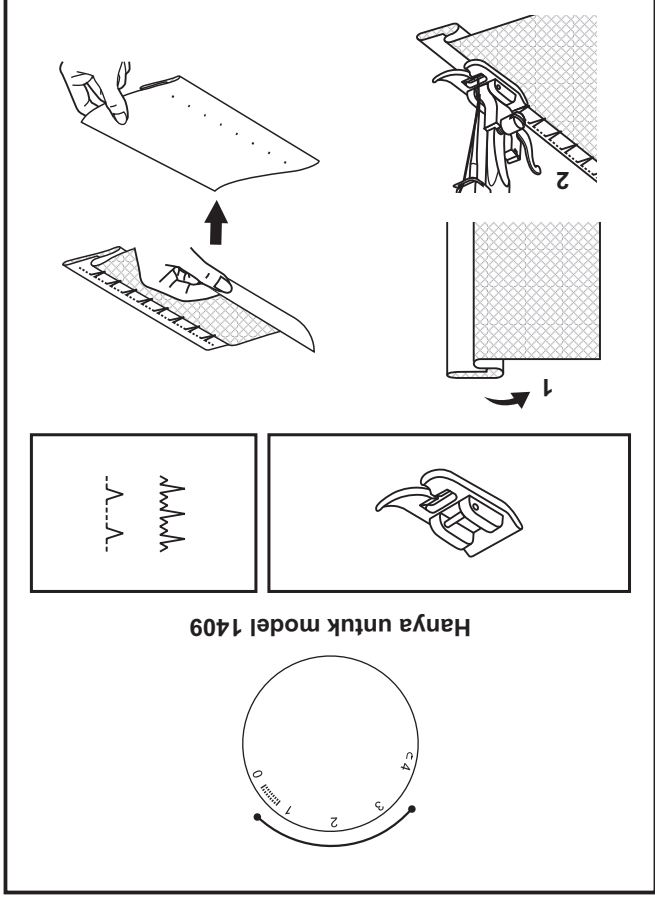
Balikkan kelim keatas dengan lebar yang diinginkan dan tekan. Lipat kebelakang (seperti ditunjukkan pada Gambar 1) ke sisi kanan kira-kira 7 mm (1/4") ke sisi kanan lipatan kain.

Mulailah menjahit perlahan diatas lipatan, pastikan jarum sedikit menyentuh lipatan atas untuk menangkap satu atau dua benang kain. (2)

Bentangkan kain jika pengeliman sudah selesai dan tekan.

### Jahitan Lingerie:

Balikkan kelim keatas dengan lebar yang diinginkan dan tekan. Letakkan kain dengan sisi kanan menghadap atas dan pinggiran kelim di sebelah kiri. Mulailah menjahit sehingga jarum mengayun pada pinggiran kiri kain untuk membentuk remis kecil. Sedikit menggerakkan keketatan akan menghasilkan remis lebih dalam.



## Menjahit Mundur

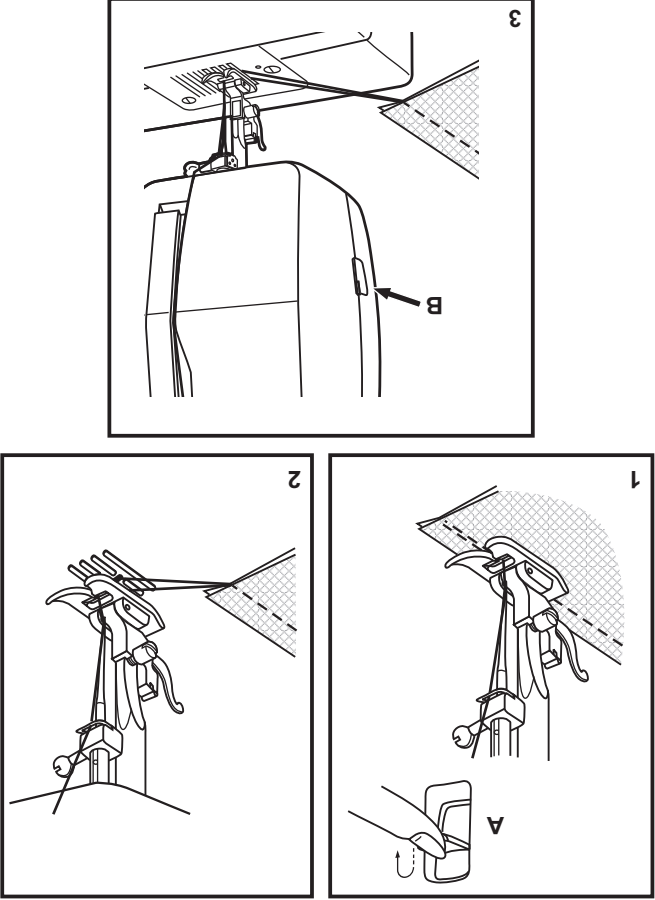
Untuk memperkuat awal dan akhir kelim, tekan tuas menjahit mundur kebawah (A). Jahitlah beberapa jahitan mundur. Lepaskan tuas dan mesin akan menjahit maju kembali. (1)

## Mengeluarkan Kain

Putar roda tangan kearah anda (bertawanan arah jarum jam) agar tuas pengencang benang naik ke posisi paling tinggi, naikkan sepatu penindas dan keluarkan kain di belakang jarum dan sepatu penindas. (2)

## Memotong Benang

Tarik benang di bawah dan di belakang sepatu penindas. Antar benang ke samping plat depan dan masukkan memotong benang (B). Tarik benang kebawah untuk memotong. (3)

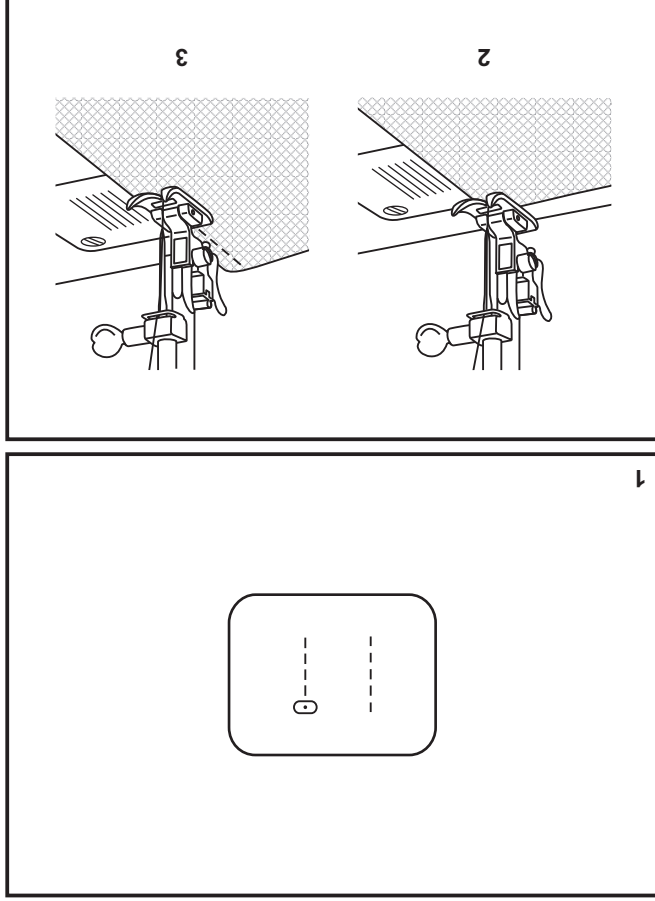


## □ Menjahit Jahitan Lurus

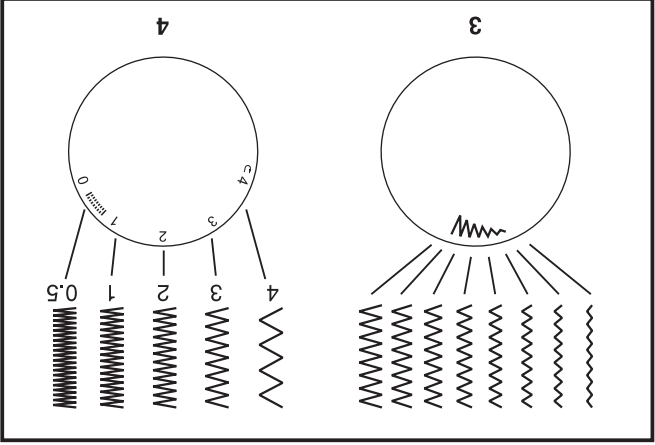
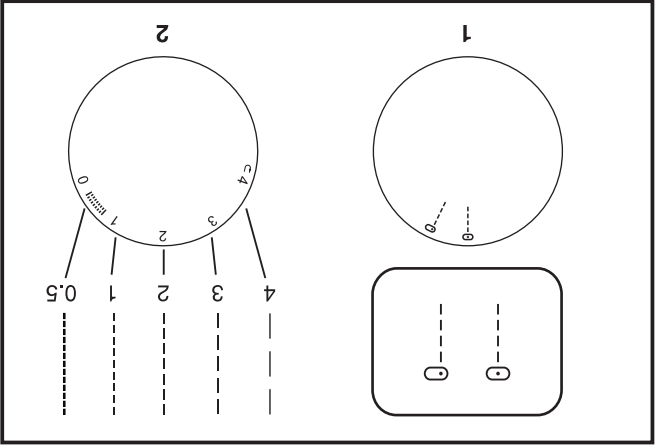
Untuk mulai menjahit, setel mesin untuk jahitan lurus. (1)

Letakkan kain dibawah sepatu penindas dengan pinggiran kain melipat keatas pada garis pedoman kelim yang diinginkan pada plat jarum. (2)

Turunkan tuas sepatu penindas, dan kemudian injak pedal/trap (injakan dinamo) untuk mulai menjahit. (3)



☐ Cakram Angka Panjang Jahitan (Hanya untuk model 1409)



**Fungsi cakram angka panjang jahitan ketika menjahit lurus**  
 Untuk menjahit jahitan lurus, putar Cakram Angka Selektor ke pengaturan jahitan lurus. (1) Putar Cakram Angka ketika cakram angka mendekati "0". Panjang tiap jahitan akan meningkat ketika cakram angka mendekati "4". (2) Pada umumnya, gunakan panjang jahitan lebih panjang ketika menjahit kain lebih berat atau ketika menggunakan jarum atau benang lebih tebal. Gunakan panjang jahitan lebih pendek ketika menjahit kain lebih ringan atau ketika menggunakan jarum atau benang lebih halus.

**Fungsi cakram angka panjang jahitan ketika menjahit zigzag**  
 Putar cakram angka selektor pola ke "0" atau "4". (3)  
 Kepadatan jahitan zigzag meningkat jika pengaturan cakram angka panjang jahitan mendekati "0".

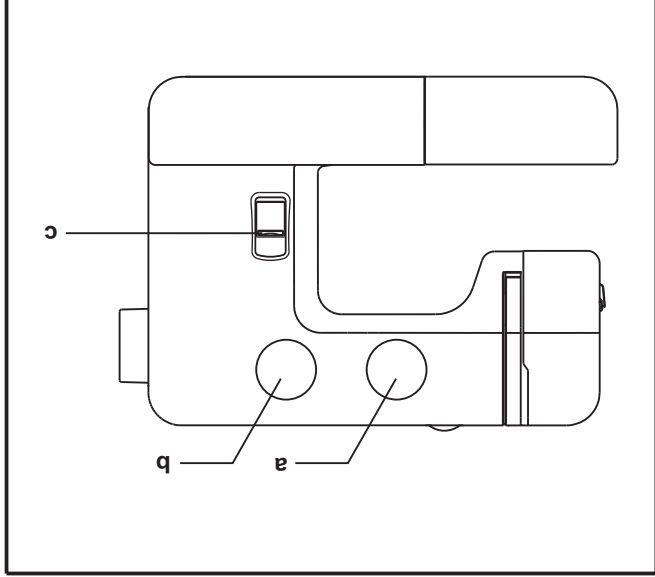
Jahitan zigzag rapi biasa diperoleh pada "2.5" atau lebih rendah.  
 Jahitan zigzag padat disebut jahitan satin. (4)

**Cara Memilih Pola**

Untuk memilih jahitan, putar saja cakram angka selector pola.(a)  
 Cakram angka selector pola bisa diputar ke kedua arah.  
 Halaman berikut ini menunjukkan kisaran panjang jahitan yang disarankan.  
 Sesuaikan panjang jahitan dengan cakram angka panjang pola sesuai dengan kain yang digunakan. (B) (Hanya untuk model 1409)

- a. Cakram Angka Selector pola
- b. Cakram Angka Panjang Jahitan (Hanya untuk model 1409)
- c. Tuas Menjahit Mundur

| Model |  | Pola Jahitan |
|-------|--|--------------|
| 1408  |  |              |
| 1409  |  |              |





## Kekuatan Benang

### Menaikkan Tension Benang

Setingan dasar kekuatan benang atas: "4": (1)

Untuk meningkatkan kekuatan, putar cakram angka ke angka lebih tinggi berikutnya.

Untuk mengurangi kekuatan, putar cakram angka ke angka lebih rendah berikutnya.

A. Kekuatan benang normal untuk menjahit jahitan lurus.

B. Kekuatan benang terlalu longgar untuk menjahit jahitan lurus.

C. Kekuatan benang terlalu ketat untuk menjahit jahitan lurus.

D. Kekuatan benang normal untuk jahitan dekoratif zigzag.

Kekuatan benang tepat jika benang atas sedikit timbul pada sisi bawah kain.

### Kekuatan benang bawah

Kekuatan spul sudah di set tepat oleh pabrik, jadi kita tidak perlu menyeteinya.

### Harap perhatikan:

- Pengaturan kekuatan yang tepat diperlukan untuk memperoleh jahitan yang baik.

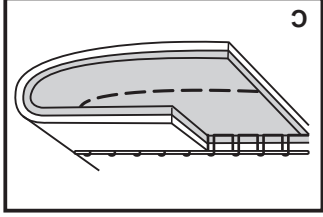
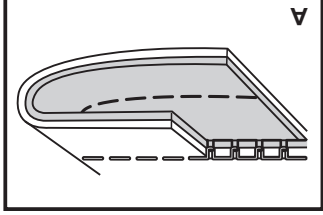
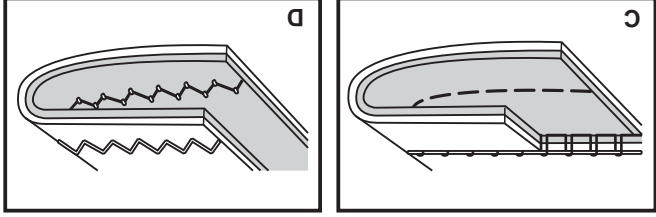
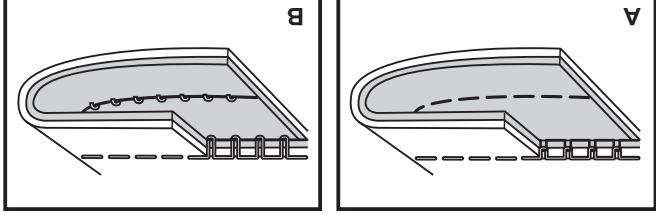
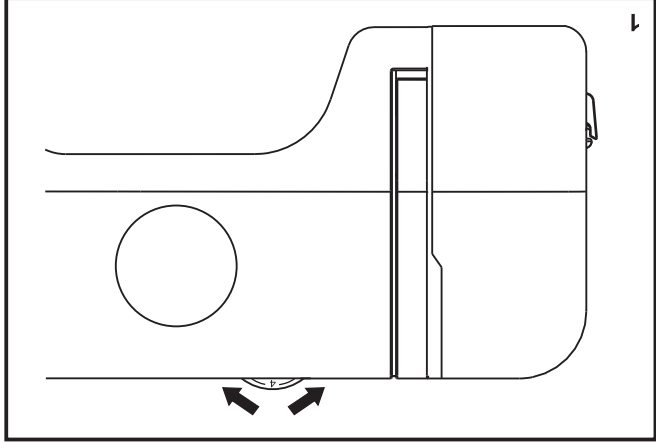
- Tidak ada satu pengaturan kekuatan yang tepat untuk semua fungsi jahitan, benang atau kain.

- Kekuatan yang seimbang (jahitan atas dan bawah sama) biasanya hanya diperlukan untuk menjahit konstruksi jahitan lurus.

- 90% dari semua jahitan akan tertetak antara "3" dan "5".

- Untuk fungsi menjahit jahitan zigzag dan dekoratif, kekuatan benang pada umumnya harus lebih longgar untuk menjahit jahitan lurus.

- Untuk semua jahitan dekoratif, anda akan selalu memperoleh jahitan lebih indah dan kain sedikit mengkerut jika benang atas timbul pada sisi bawah kain anda.



## Menaikkan Benang Spul

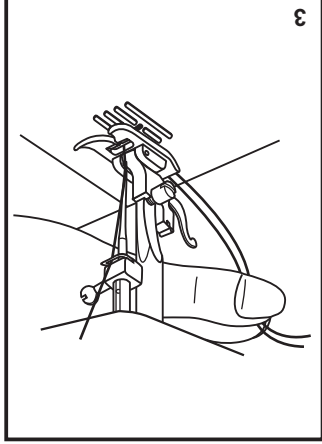
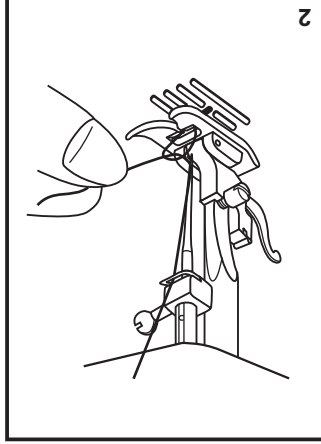
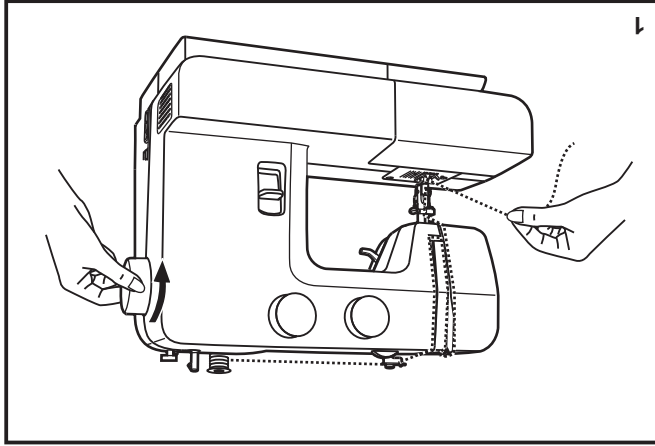
Pegang benang atas dengan tangan kiri.

Putar roda tangan (1) kearah anda (berlawanan arah jarum jam), turunkan, lalu naikkan jarum.

**Perhatian:**  
Jika benang spul sukar dinaikkan, periksaah untuk memastikan apakah benang tidak tersangkut di engsel penutup atau Meja Perpanjangan.

Pelan-pelan tarik benang atas agar benang spul naik melewati lubang plat jarum. (2)

Letakkan kedua jarum ke belakang di bawah sepatu penindas. (3)



## □ Memasang Benang Atas

Ini merupakan operasi yang mudah namun penting untuk dilakukan dengan benar karena kalau tidak benar akan timbul beberapa masalah dalam menjahit.

- Mulailah dengan menaikkan jarum ke posisi paling tinggi (1) dan terus putar roda tangan berlawanan arah jarum jam sampai jarum mulai sedikit turun. Naikkan sepatu penindas untuk mengendurkan cakram keketatan. (2)

**Catatan:** Demi keselamatan, Anda sangat disarankan untuk mematikan listrik mesin sebelum memasang benang.

- Letakkan benang dan cakram pasak spul (a) pada tiang benang. (3)

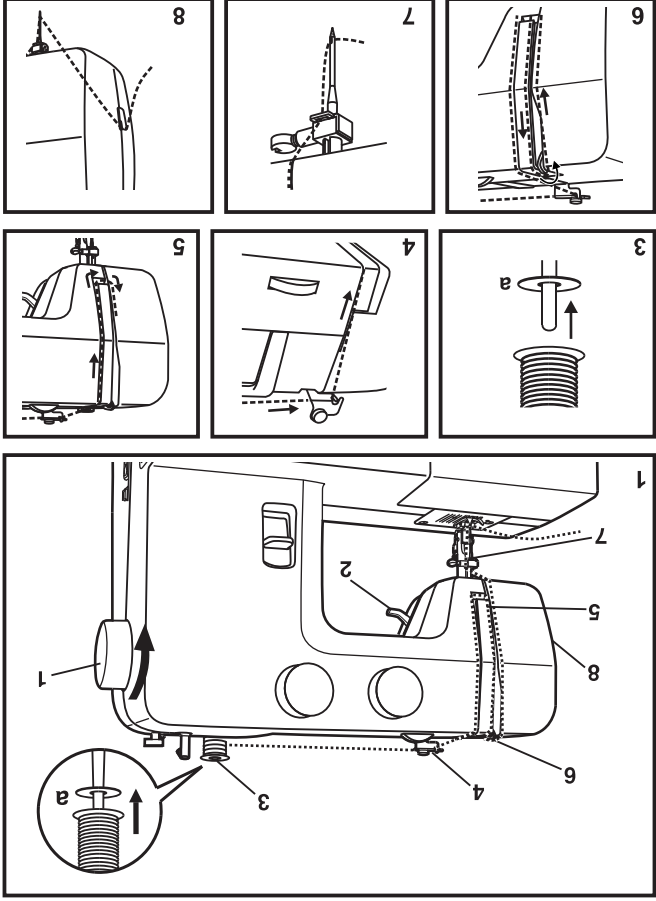
- Tarik benang dari spul melewati pengantar benang atas (4). Pasang benang ke modul keketatan dengan membawa benang turun di kanan terusan dan keatas di kiri terusan.

(5) Selama proses ini sebaiknya anda memegang benang antara rol benang dan pengantar benang.

- Di puncak pergerakan ini, masukkan benang melewati lubang tuas pengencang dari kanan ke kiri dan kemudian ke bawah lagi. (6)

- Sekarang masukkan benang di belakang pengantar klem jarum kawat tipis (7) dan kemudian turun ke jarum yang harus masuk dari depan ke belakang.

- Tarik benang sampai kira-kira 6-8 inci ke belakang lubang pemotongan benang yang sudah terpasang di mesin. (8)



## Memasang Benang Ke Spul

Ketika memasukkan atau mengeluarkan spul, jarum harus dinaikkan sepenuhnya.

- Lepas meja perpanjangan, lalu buka penutupnya. (1)

- Tarik plat rumah spul (sekoci) (a) dan keluarkan rumah spul (sekoci). (2)

- Pegang rumah spul (sekoci) dengan satu tangan. Masukkan spul sehingga benang menggulung searah jarum jam (panah). (3)

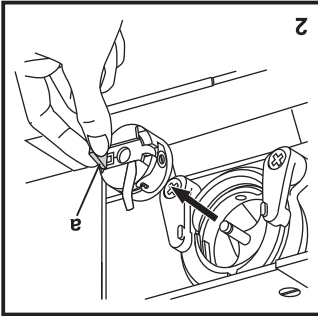
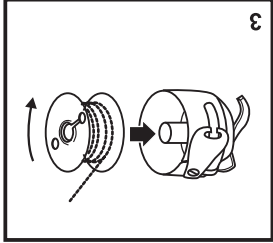
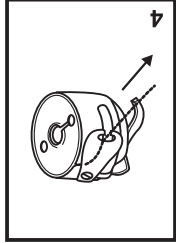
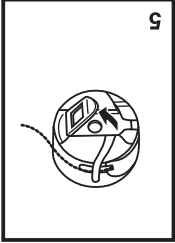
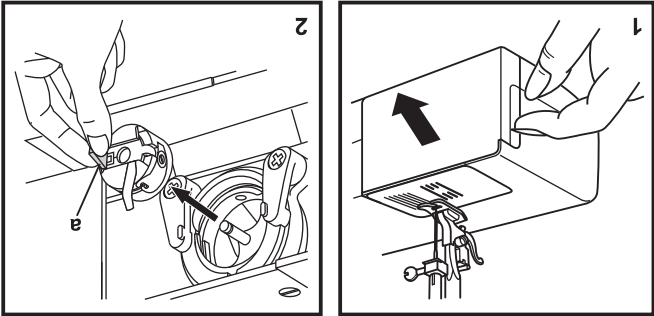
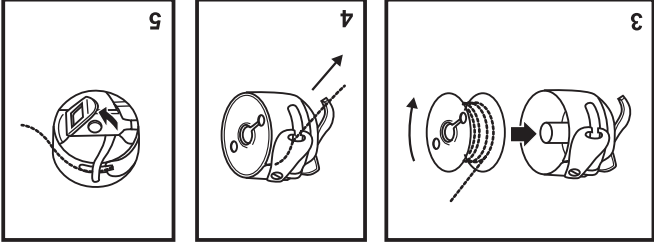
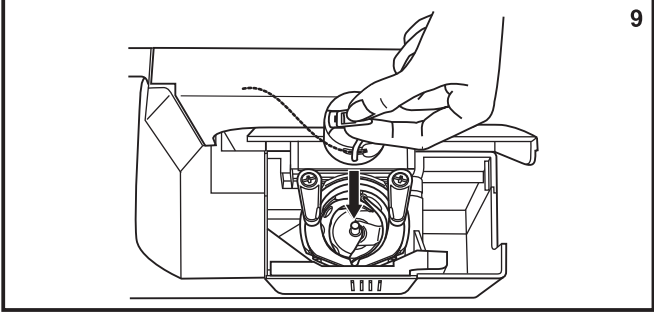
- Tarik benang melewati celah dan dibawah jar. (4) Sisakan ekor benang sepanjang 6 inci.

- Pegang rumah spul (sekoci) pada grendelnya. (5)

- Masukkan rumah spul (sekoci) ke puntal. (6)

### **Perhatian:**

Putar saklar listrik ke mati ("O") sebelum memasukkan atau mengeluarkan spul.



## □ Mengguling Benang Pada Spul

- Letakkan benang dan tempat kumaran pada tiang kumaran. (1)

- Guling benang berlawanan arah jarum jam pada cakram ketetapan pengguling spul. (2)

- Pasang benang spul dan letakkan pada tiang pengguling spul. (3)

- Dorong spindel spul ke kanan. (4)

- Pegang ujung benang. (5)

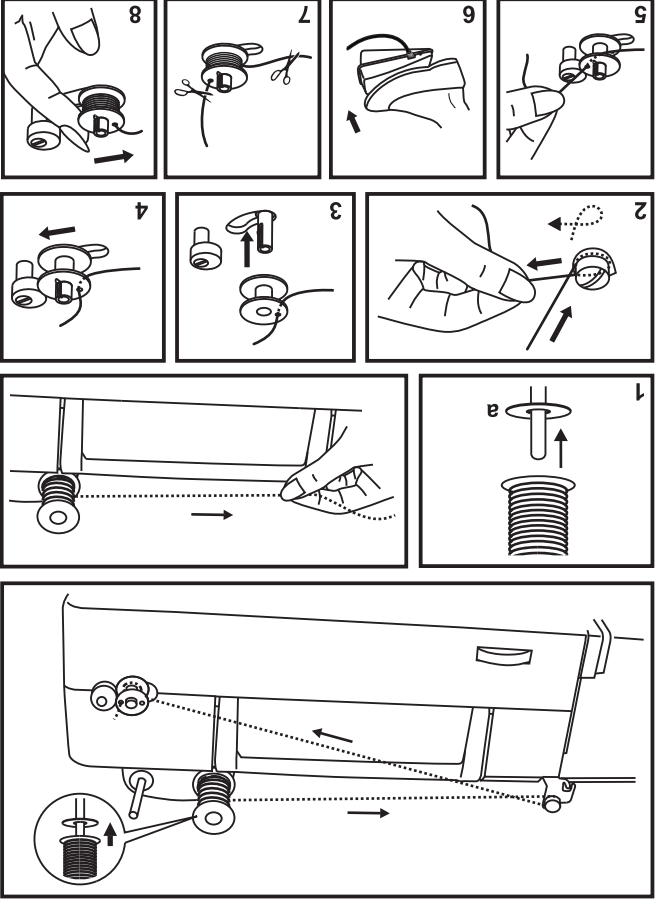
- Injak pedal/trap (injakan dinamo). (6)

- Potonglah benang. (7)

- Dorong spindel benang ke kiri (8) dan lepaskan.

### Harap Perhatikan:

Jika spindel pengguling spul sedang pada posisi "mengguling spul," mesin tidak akan menjahit dan roda tangan tidak akan berputar. Untuk mulai menjahit, dorong spindel pengguling ke kiri (posisi menjahit).





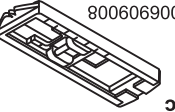


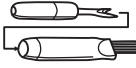


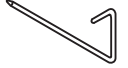







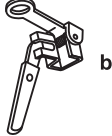
**Aksesoris**

**Aksesoris standar (1)**

- a. Sepatu kegunaan umum
- b. Sepatu resleting
- c. Sepatu lubang kancing
- d. Sepatu pemasangan kancing
- e. Obeng L
- f. Penyobek kelim / sikat
- g. Bulu kempa pasak (tiang benang)(2)
- h. Kotak jarum
- i. Pengantar pinggiran / quilting
- j. Spul (3)
- k. Plat menisik

**Aksesoris tambahan (2)**

- (6) aksesoris ini tidak disediakan di mesin; aksesoris pilihan ini tersedia khusus di dealer lokal anda.)
- l. Sepatu jahit lurus / quilting
- m. Sepatu obras
- n. Sepatu kelim
- o. Sepatu kelim buta
- p. Sepatu jahitan satin
- q. Sepatu tistik / bordir

|                                                                                                      |                                                                                                     |                                                                                                     |  |
|------------------------------------------------------------------------------------------------------|-----------------------------------------------------------------------------------------------------|-----------------------------------------------------------------------------------------------------|--|
| <b>1 Aksesoris standar</b>                                                                           |                                                                                                     |                                                                                                     |  |
| <br>a<br>0068906008 | <br>b<br>006905008 | <br>c<br>006909008 |  |
| <br>d<br>006914008  | <br>e              | <br>f              |  |
| <br>g               | <br>h              | <br>i              |  |
| <br>j               | <br>k              |                                                                                                     |  |
| <b>2 Aksesoris tambahan</b>                                                                          |                                                                                                     |                                                                                                     |  |
| <br>l<br>006916008  | <br>m<br>006803008 | <br>n<br>006800008 |  |
| <br>o<br>006812008  | <br>p<br>006804008 | <br>q<br>006016008 |  |

Tuas Sepatu Penindas Dua Langkah

Ketika menjahit beberapa lapis kain tebal, sepatu penindas dapat diangkat ke posisi lebih tinggi agar kain mudah diletakkan. (A)



## □ Menghubungkan Mesin ke Catu Daya

Sambungkan mesin ke catu daya seperti ditunjukkan pada gambar. (1)  
Peralatan ini dilengkapi steker kutub, yang harus digunakan dengan stopkontak kutub yang tepat. (2)

**Perhatian:**  
Cabut steker listrik jika mesin tidak digunakan.

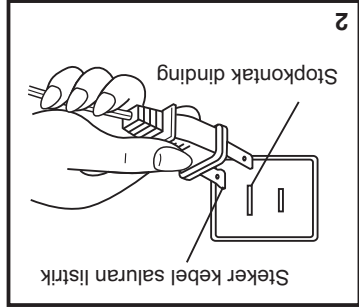
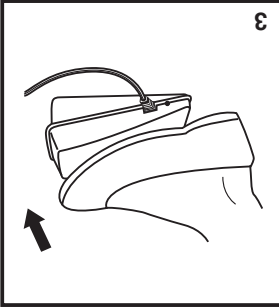
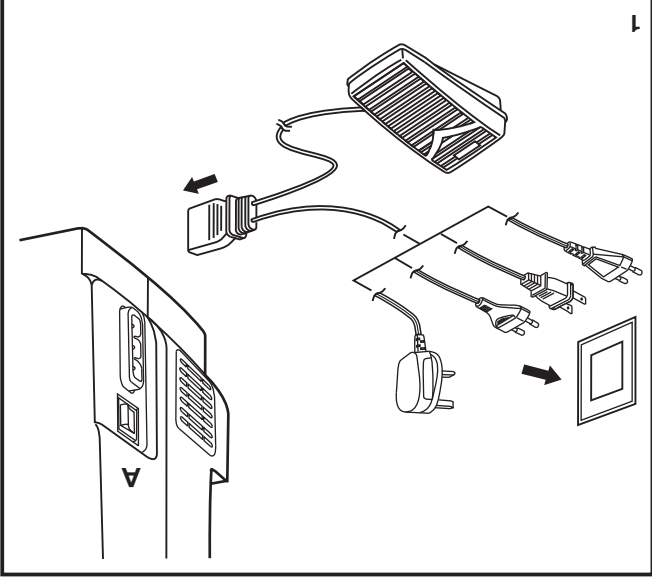
**Pedal/trap (injakan dinamo)**  
Pedal/trap mengatur kecepatan menjahit. (3)

**Perhatian:**  
Hubungi montir listrik yang memenuhi syarat jika anda tidak mengetahui cara untuk menghubungkan mesin ke catu daya.  
Cabut steker listrik jika mesin tidak digunakan.  
Pedal/trap (injakan dinamo) harus digunakan dengan peralatan FC-1902, KD-1902 (110-120V area)/ FC-2902A, KD-2902 (220-240V area)/ 4C-316B (110-120V area)/ 4C-326G (230V area).

**Lampu Menjahit**  
Tekan saklar utama (A) ke "I".

### PERINGATAN PENTING

Untuk peralatan bersteker kutub (satu sudut lebih lebar dari yang lain). Untuk mengurangi risiko kejutan listrik, steker ini dimaksudkan untuk hanya cocok dengan stopkontak kutub searah saja. Jika steker tidak berbenaar cocok dengan stopkontak, ballikkan steker. Jika masih tidak cocok, hubungi teknisi listrik yang memenuhi syarat untuk memasang stopkontak yang tepat. Jangan sekalipun mengubah steker.



3

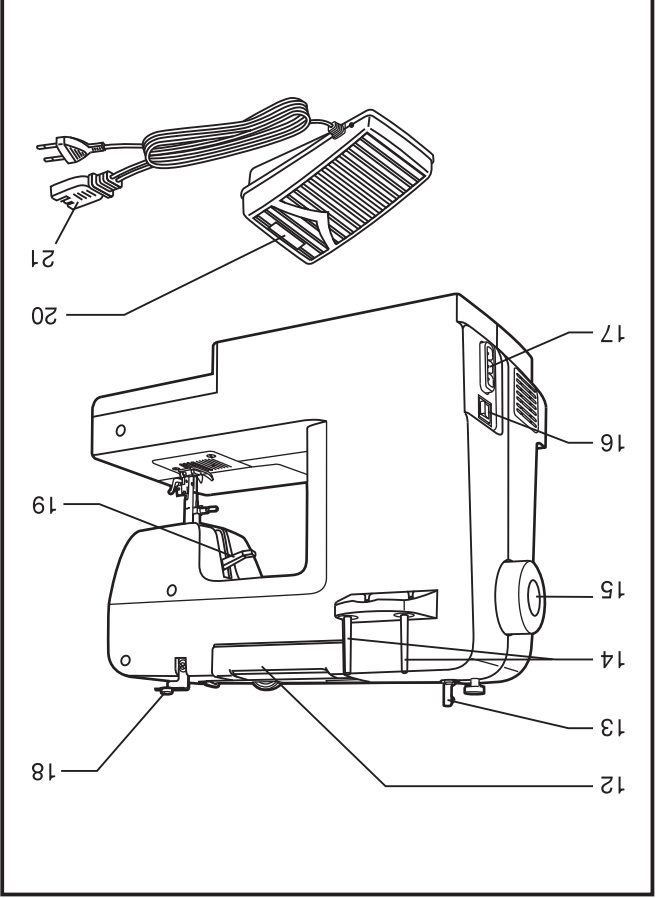
2

1



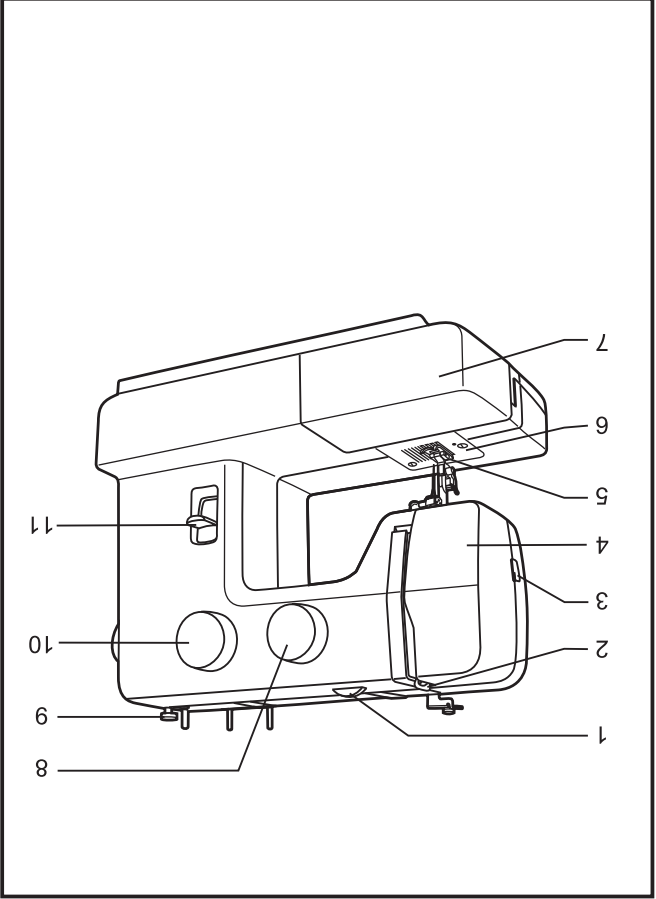
## □ Suku Cadang Pokok Mesin

- 12. Handel
- 13. Spindel penggulung spul
- 14. Pasak spul (tiang benang)
- 15. Roda tangan
- 16. Saklar listrik dan lampu
- 17. Soket steker utama
- 18. Pengantar benang spul
- 19. Tuas sepatu penindas
- 20. Pedal/trap (injakan dinamo)
- 21. Kabel listrik



**Suku Cadang Pokok Mesin**

1. Cakram angka keketatan benang
2. Tuas pengencang benang
3. Remotong benang
4. Plat depan
5. Sepatu penindas
6. Plat jarum
7. Meja perpanjangan/Kotak aksesor
8. Cakram angka selektor pola
9. Penghenti spul
10. Cakram angka panjang jahitan (Hanya untuk model 1409)
11. Tuas menjahit mundur



|     |                                                       |
|-----|-------------------------------------------------------|
| 2/3 | Dasar-dasar mesin                                     |
| 2/3 | Suku cadang Pokok Mesin                               |
| 4   | Menghubungkan Mesin Ke Satu Daya                      |
| 5   | Tuas Sepatu Penindas Dua Langkah                      |
| 6   | Aksesoris                                             |
| 7   | Memasang Benang ke Mesin                              |
| 7   | Menggulung Benang Pada Spul                           |
| 8   | Memasang Benang Ke Spul                               |
| 9   | Memasang Benang Atas                                  |
| 10  | Menaikkan Benang Spul                                 |
| 11  | Keketatan Benang                                      |
| 12  | Cara Memilih Pola                                     |
| 13  | Cakram Angka Panjang Jahitan (Hanya untuk model 1409) |
| 14  | Menjahit Jahitan Lurus                                |
| 15  | Menjahit Mundur / Memotong Benang                     |
| 16  | Keilm Buta                                            |
| 17  | Menjahit Lubang Kancing                               |
| 18  | Menjahit Kancing Baju (Hanya untuk model 1408)        |
| 19  | Menjahit Kancing Baju (Hanya untuk model 1409)        |
| 20  | Bordir Gerak Bebas, Stippling                         |
| 21  | Memasang Meja Perpanjangan                            |
| 22  | Memasang gagang Sepatu Penindas                       |
| 23  | Tabeljarum / Kain / Benang                            |
| 24  | Plat Trisik                                           |
| 25  | Pemeliharaan dan Troubleshooting                      |
| 25  | Memasukkan Dan Mengganti Jarum                        |
| 26  | Menganti Bohlam                                       |
| 27  | Pedoman Pemecahan Masalah                             |

# Selamat

Sebagai pemilik mesin jahit Singer baru, anda akan memulai petualangan kreativitas yang mengasyikkan. Sejak pertama kali anda menggunakan mesin jahit ini, anda akan tahu bahwa anda sedang menjahit dengan salah satu mesin jahit paling mudah digunakan yang pernah dibuat.

Kami menyarankan agar sebelum mulai menggunakan mesin jahit ini anda melihat-lihat banyak fitur dan kemudahan penggunaan yang terdapat pada mesin jahit anda dalam buku petunjuk ini sedikit demi sedikit.

Untuk memastikan anda selalu memperoleh kemampuan menjahit paling modern, produsen memberikan hak untuk mengubah tampilan, desain atau aksesori mesin jahit ini jika dianggap perlu.

SINGER® adalah merek dagang terdaftar dari The Singer Company Ltd S.à r.l. atau afiliasinya ©2013 The Singer Company Limited S.à r.l. atau afiliasinya. Semua Hak Dilindungi!

# PETUNJUK KESELAMATAN PENTING

Ketika menggunakan peralatan listrik, tindakan keselamatan dasar harus selalu dijalankan, termasuk berikut ini:

Baca semua petunjuk sebelum menggunakan mesin jahit ini.

## BAHAYA

- Untuk mengurangi risiko kejutan listrik:

1. Mesin jahit ini tidak boleh ditinggalkan tanpa sengaja dalam kondisi tersambung aliran listrik.

2. Selalu cabut steker mesin jahit ini dari stopkontak segera sesudah penggunaan atau sebelum pembersihan.

3. Selalu cabut steker mesin jahit ini dari stopkontak sebelum mengganti lampu. Ganti lampu dengan tipe sama yang berdaya nominal 10 watt (area 110-120V) atau 15 watt (220-240V).

## PERINGATAN

- Untuk mengurangi risiko luka bakar, kebakaran, kejut listrik, atau cedera:

1. Jangan biarkan mesin jahit ini dipakai sebagai mainan. Diperlukan perhatian seksama ketika mesin jahit ini digunakan oleh anak-anak atau digunakan di dekat anak-anak.

2. Gunakan mesin jahit ini hanya untuk keperluan sebagaimana dijelaskan dalam buku petunjuk ini. Hanya gunakan alat tambahan yang direkomendasikan oleh produsen sebagaimana termuat dalam buku petunjuk ini.

3. Jangan pakai mesin jahit ini jika kabel atau stekernya rusak, jika mesin jahit ini tidak bekerja sebagaimana mestinya, jika mesin jahit ini pernah jatuh atau rusak, atau jatuh ke air. Kembalikan mesin jahit ke dealer resmi atau service center terdekat untuk diperiksa, diperbaiki, atau disetel ke listrik/kain atau mekaniknya.

4. Janganoperasikan mesin jahit jika ada lubang udara yang tersumbat. Bersihkan lubang ventilasi mesin jahit dan pedal/trap (injakan dinamo) dari timbunan kain tirus, debu, dan kain lepas.

5. Jauhkan jari dari semua bagian mesin yang bergerak. Berhati-hatilah di dekat jarum mesin jahit.

6. Selalu gunakan plat jarum yang tepat. Plat yang salah dapat menyebabkan jarum patah.

7. Jangan gunakan jarum bengkok.

8. Jangan tarik atau dorong kain saat menjahit. Ini bisa membengkokkan jarum sehingga dapat patah.

9. Matikan mesin jahit ("O") ketika menyetal di sekitar jarum, misalnya memasukkan benang ke jarum, mengganti jarum, memasang benang ke spul, atau mengganti sepatu, dan lain-lain.

10. Selalu cabut steker dari stopkontak ketika melepas penutup, melunas, atau menyetal sendiri mesin seperti disebutkan pada buku petunjuk ini.

11. Jangan jatuhkan atau masukkan benda apapun ke lubang apapun.

12. Jangan digunakan di tempat terbuka.

13. Janganoperasikan mesin jahit bila produk aerosol (semprot) sedang digunakan atau bila oksigen sedang disalurkan.

14. Untuk memulus sambungan listrik, putar saklar ke posisi: mati ("O"), kemudian cabut steker dari stopkontak.

15. Jangan cabut steker dengan menarik kabel. Untuk mencabut, pegang stekernya, bukan kabelnya.

16. Tingkat tekanan yang baik dalam kondisi operasi normal adalah 75dB(A).

17. Harap matikan mesin atau cabut steker jika mesin tidak bekerja dengan baik.

18. Jangan letakkan apapun diatas pedal/trap (injakan dinamo).

19. Jika kabel listrik yang terpasang pada pedal/trap (injakan dinamo) rusak, maka kabel ini harus diganti oleh produsen atau service agent-nya atau orang yang memenuhi syarat agar tidak timbul bahaya.

20. Peralatan ini tidak dimaksudkan untuk dipakai oleh orang (termasuk anak-anak) yang mempunyai keterbatasan fisik, sensorik atau mental, atau tidak mempunyai pengalaman atau pengetahuan, kecuali jika mereka tidak mengetahui penggunaan peralatan ini oleh orang yang bertanggung jawab terhadap keselamatan mereka.

21. Anak-anak harus diawasi untuk memastikan mereka tidak bermain dengan peralatan ini.

## SIMPAN PETUNJUK INI

Produk ini hanya penggunaan rumah tangga.

# *1408 / 1409 Petunjuk Penggunaan*

**SINGER®**

